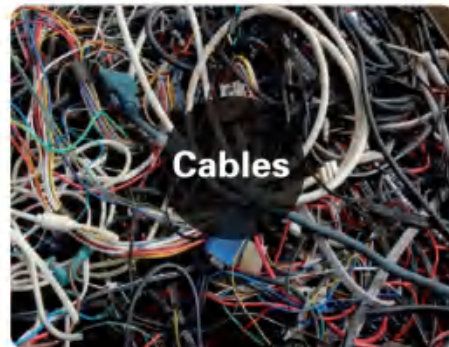


Product Application

Mainly for plastic lumps,plastic film etc



End Products



Plastic Scrap



Shred Materials

- ① Blade Combination
- ② Shredding Chamber
- ③ Machinery Structure
- A Feeding Hopper
- B Motor+Gearbox
- C Electric System



- GM series Granulator designed for shredding waste plastic,cables,rubbers,electric waste etc,normally it been put after the Single Shaft Shredder or Two Shafts Shredder as the secondary shredder. It is mainly composed of rotor knives,counter knives,shredding chamber,machinery supports,-feeding conveyor,motor,gearbox and electric system. Hard metals can not enter the shredding chamber when it is working.
- The end products size can be adjusted by the different screen mesh sizes.

BLADE COMBINATION

- Rotor Knives material Alloy AISID-2,Hardness can meet HRC59
- Rotor Knives can be repaired,which increases the service life of the knives.
- The counter knives can be adjusted to maintain the proper distance with the rotor knives.
- We have V type rotor,VB type rotor,C type rotor,CS type rotor and S type rotor design



BEARING BASE

- High quality spherical bearings are isolated from the shredding chamber to prevent materials go into the oil seal.
- The whole machined bearing housing ensures the service life of the bearing.
- Adopting the high-strength heavy-duty self-aligning bearings can withstand heavy-duty impact.



MACHINERY STRUCTURE

- The machine structure is integrally processed and bored by a high-precision CNC machining center to ensure that the equipment can run smoothly under high load for a long time and prolong the service life of the transmission parts.
- The design of the structure opening is automatic type, the screw drive is safe and reliable to ensure that the structure will not fall when opening,and the equipment mechanism is firm.



ELECTRIC SYSTEM

- Linkage control, controlled by PLC, and can adjust the feeding amount automatically.
- European standard emergency stop, with high sensitivity.
- Lock function when machine under maintenance can ensure safety.



Screen

Convenient change of the screen



Pulley

Cast pulley,long service life



Convenient Plug

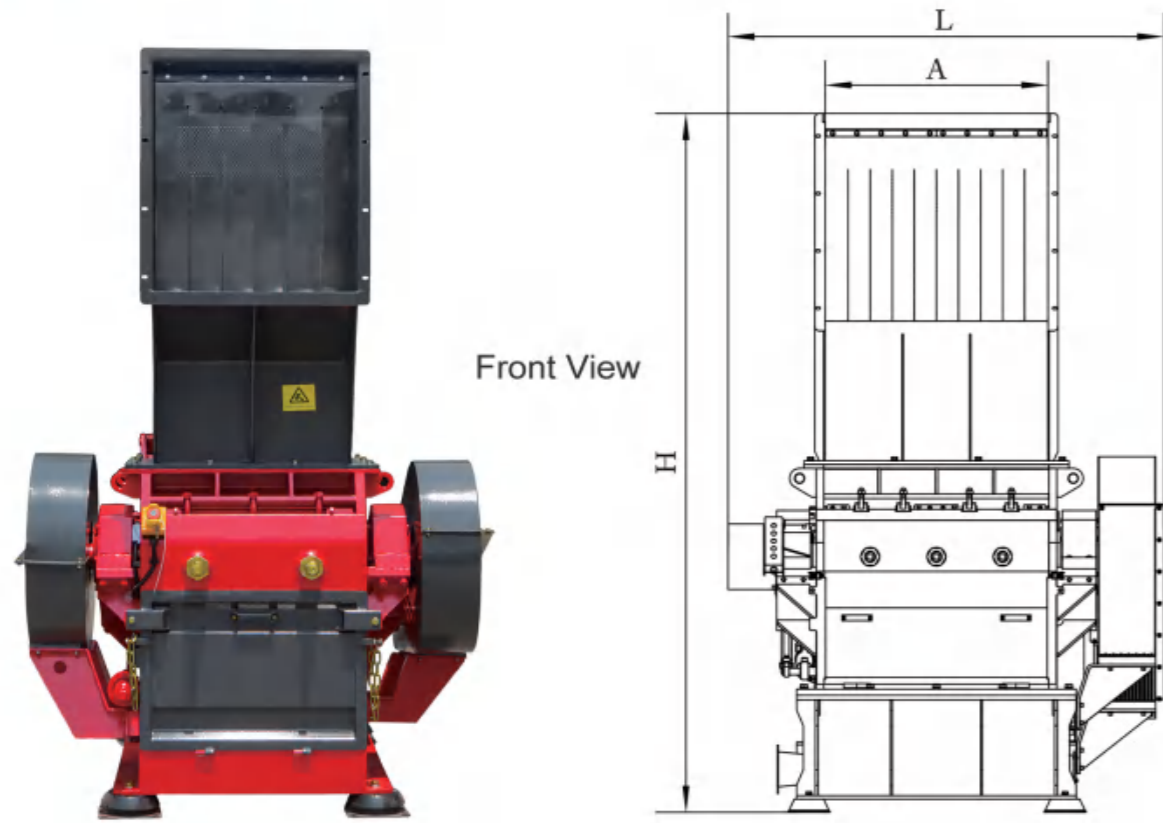
Split plug, safe and reliable



Structure lifting mechanism

European standard screw,long service life

Product Display



Front View



Right View

MODEL	GM-600S	GM-800S	GM-800L	GM-1000S
Motor Power(kW)	22	30	37	55
Machine Size(mm)	1438×1177×2197	1440×1377×2197	1637×1450×2272	1858×1648×2071
Shredding Chamber Length(mm)	620	820	820	1020
Shaft Diameter(mm)	Φ320	Φ320	Φ420	Φ420
Shaft Speed (rpm)	580	580	580	580
Counter Knives (pcs)	2	2	2	4
Rotor Knives (pcs)	6	6	6	6
Screen Quantity(pcs)	1	1	1	1
Screen Mesh Size(mm)	Φ12	Φ12	Φ12	Φ12

MODEL	GM-1200S	GM-1600S	GM-2500S
Motor Power(kW)	75	132	132+132
Machine Size(mm)	2155×2202×3141	2470×2600×3373	2881×3942×4397
Shredding Chamber Length(mm)	1220	1600	2500
Shaft Diameter(mm)	Φ520	Φ660	Φ800
Shaft Speed (rpm)	520	520	460
Counter Knives (pcs)	4+2	4+2	4+2
Rotor Knives (pcs)	10	28	45
Screen Quantity(pcs)	1	1	1
Screen Mesh Size(mm)	Φ12	Φ20	Φ20

ENERPAT

GLOBAL WASTE DISPOSAL DYSTEM DUPLIER



ENERPAT GRANULATOR



Email: info@enerpatgroup.com
Email: enerpatcompany@gmail.com

Add: No 2, Xintai Road, Changqing Industry Zone, Rugao, Nantong, Jiangsu, China



ENERPATGROUP UK LTD
ENERPAT UK. CHINA PRODUCTION BASE