













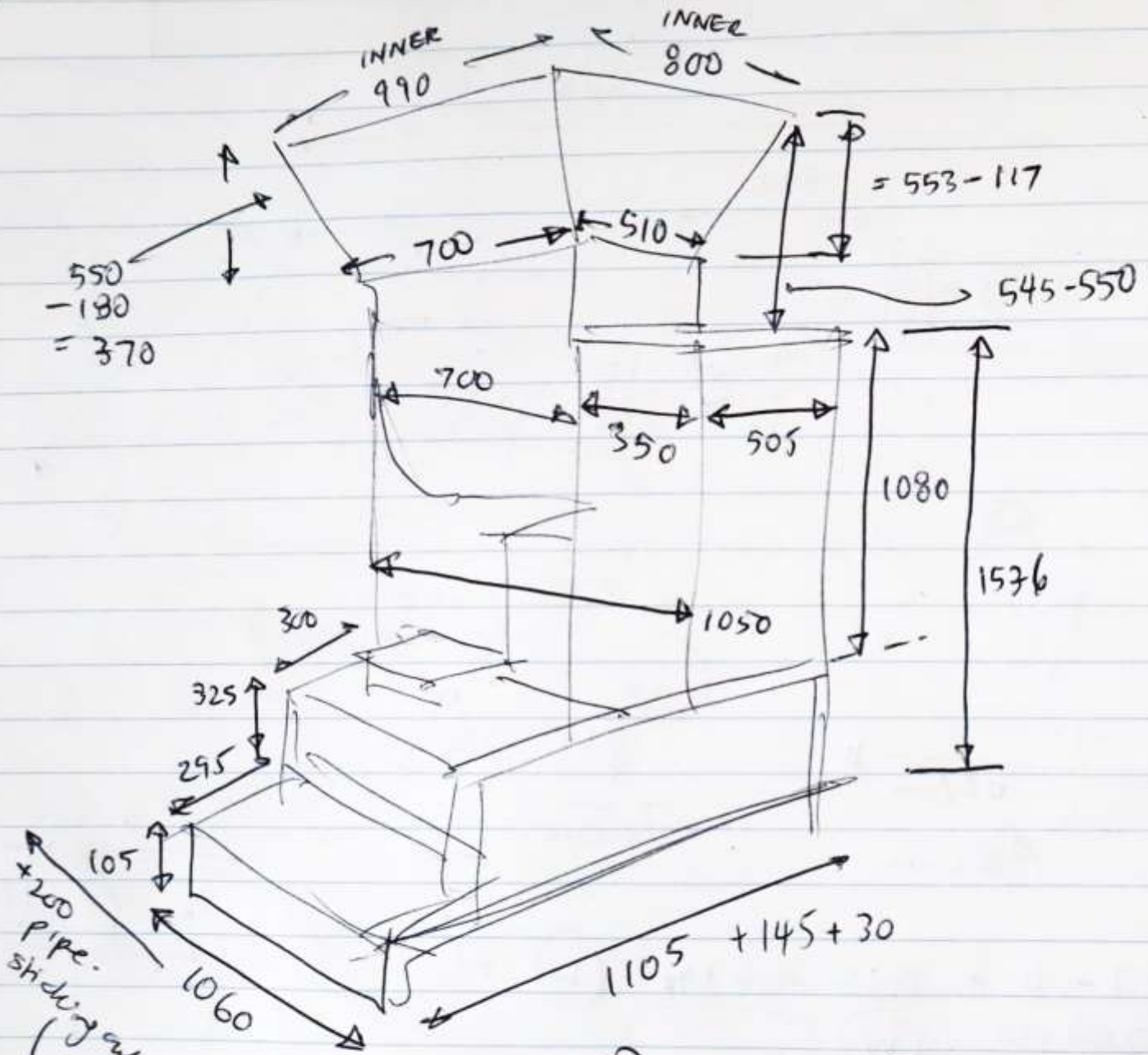






7/6/24

WOLFKING DK 4200 SLAGELSE - Denmark



$$\textcircled{L} = 1105 + 145 + 30$$

$$\textcircled{W} = 1060 + 200$$

$$\textcircled{H} = 1536 + 550$$

power = 3-phase.

WOLFKING DK 4200 SLAGELSE – Denmark

Approx External Dimensions (mm):

1280 L x 1260 W x 1086 H

Top Opening (mm):

800 x 990 inner @ top

510 x 700 inner @ base

370 to 550 depth.

Pipe Diameter: 100mm (inner)

Pipe Protrusion: 200mm approx..

Power: 3 Phase