

Freedom of choice



The new Rapid 20 Series of granulators is ideal for the direct recycling of plastic waste and rejects primarily from injection- and blow mould-



ing processes. No matter what your requirements, a standard model is available to suit your exact needs.

Modular advantages

Three different machine sizes, cutter house opening up to 480×230 mm, are available. Open or staggered rotor, low or normal rotation speed, and a number of other parameters can be specified to match your exact needs resulting in an almost endless number of possible configurations – this

allows you to select the granulator best suited to your type of plastic waste, throughput volume, granule size and direct recycling requirements.

Powerful cutting action

The combination of a heavy duty rotor supported by twin bearings and optimal staggered arrangement or open rotor alternative generates a powerful cutting action. Energy consumption is reduced to a minimum by the configuration of the rotor blades. You can choose between low and high rotation speed. A cutterhouse of wear-resistant design is available for filled, abrasive materials.

Mix and match

The number of standard alternatives, like cutterhouse width, rotor configuration, rotor speed, discharge systems, etc., allow you to select the granulator best suited to your type of plastic waste, throughput volume, granule size and direct recycling requirements.



2036 with elevator conveyor for automated infeed and compact foot print.

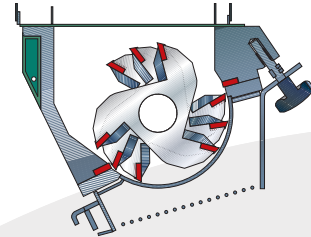
20-Series

Powerful cutting action

The combination of a heavy duty rotor supported by twin bearings and optimal staggered arrangement or open rotor alternative generates a powerful cutting action. Energy consumption is

reduced to a minimum by the configuration of the rotor blades. Another feature supporting low running costs are the possibility to choose between low and medium speed rotation. Cutterhouse in wear-resistant execution is available for filled, abrasive materials.

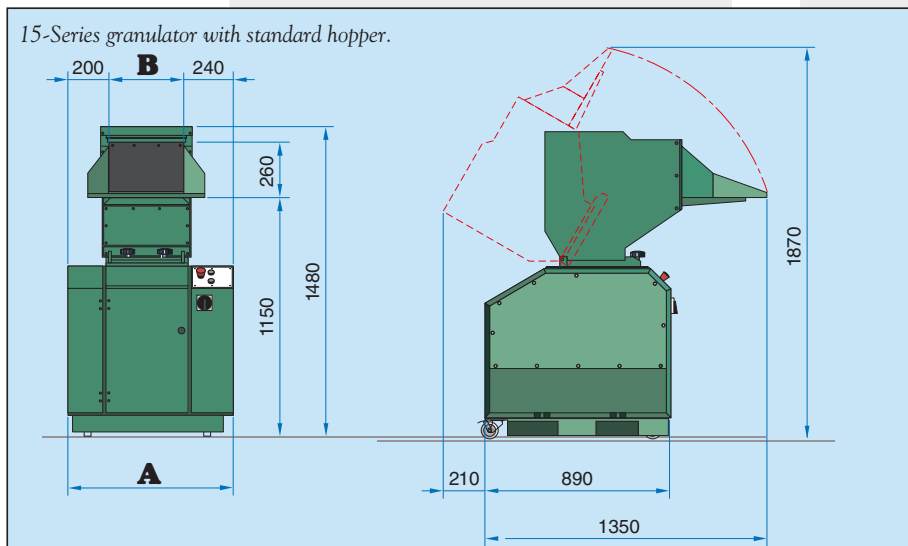
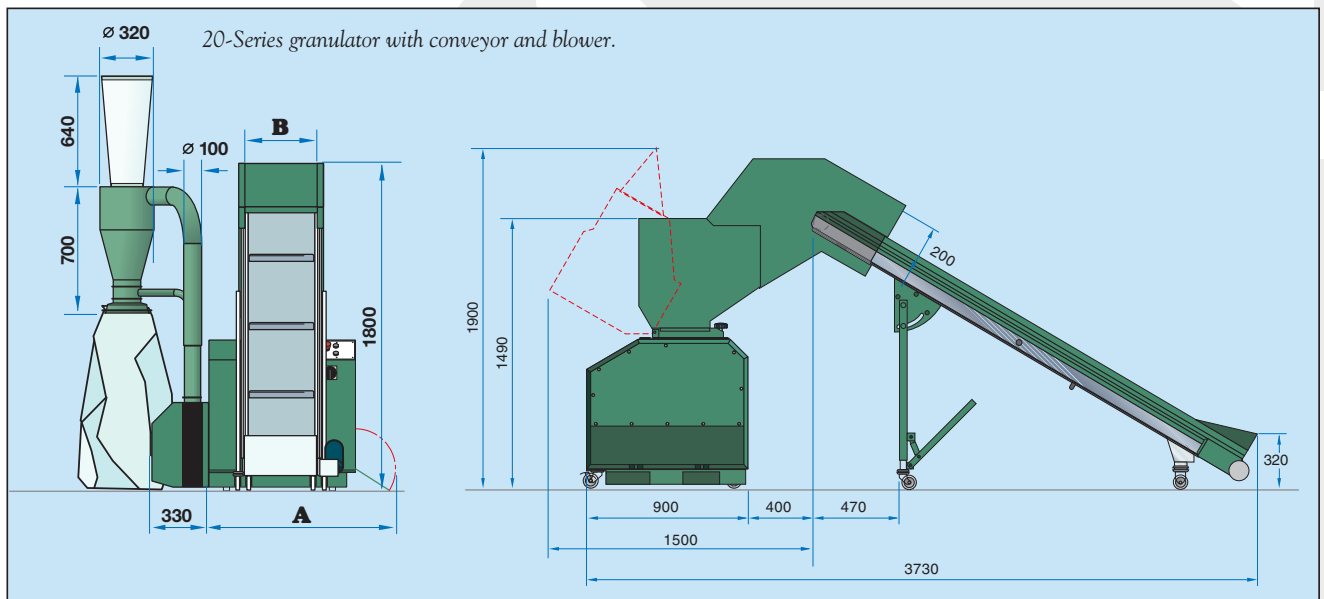
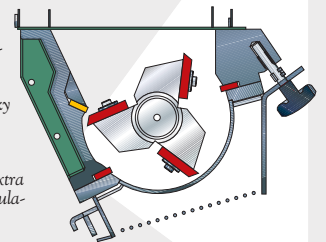
Feature	2024	2036	2048
Cutterhouse opening, mm	240×200	360×200	480×200
Rotating knives	3 (alt. 2×3)	3 (alt. 3×3)	3 (alt. 4×3)
Fixed knives	2 (optional 3)		
Rotor diameter, mm	200		
Screen hole diam., mm	6 (option 4, 5, 8, 10, 12, 17, 25)		
Motor, kW (option)	4 (5.5, 7.5, 11)	5.5 (7.5, 11)	
Throughput, kg/h *	Up to 75	Up to 110	Up to 150
Weight, kg	385	425	475



The staggered rotor configuration suits more universal and tougher applications.

The open rotor is best suited to film and bulky lightweight items such as bottles.

Either 2 or 3 fixed knives can be used. The extra knife enables tougher granulation.



	A	B
2024	680	240
2036	800	360
2048	920	480

All dimensions in mm.



Rapid Granulator AB
 Box 9
 SE-33010 Bredaryd, Sweden
 Phone: 46 370 86500
 Fax: 46 370 80251
 E-mail: info@rapidgranulator.se
 www.rapidgranulator.se