



# 3LS

2 Pole Models  
2900 RPM

## Stainless Steel End Suction Pumps

(DIN 24255)



**Stub Shaft Design  
316 Stainless Steel**

<b>-SPECIFICATIONS</b>	<b>Page</b>
Features & Applications	100
Typical Cross Sectional View	101
Pump Specifications	102
Motor Specifications	103
Selection Charts	104, 105

**-PERFORMANCE CURVES**

Performance Curve - 3LS 32-125/1.1	200
Performance Curve - 3LS 32-160/1.5/2.2	201
Performance Curve - 3LS 32-200/3.0/4.0/5.5/7.5	202
Performance Curve - 3LS 40-125/1.5/2.2	203
Performance Curve - 3LS 40-160/3.0/4.0	204
Performance Curve - 3LS 40-200/5.5/7.5/11.0	205
Performance Curve - 3LS 50-125/2.2/3.0/4.0	206
Performance Curve - 3LS 50-160/5.5/7.5	207
Performance Curve - 3LS 50-200/9.2/11.0/15.0	208
Performance Curve - 3LS 65-125/4.0/5.5/7.5	209
Performance Curve - 3LS 65-160/9.2/11.0/15.0	210
Performance Curve - 3LS 65-200/15.0/18.5/22	211
Performance Curve - 3LS 65-250/30/37	212
Performance Curve - 3LS 80-160/11.0/15.0/18.5	213
Performance Curve - 3LS 80-200/22/30/37	214
Performance Curve - 3LS 80-250/45/55	215

**-CONSTRUCTIONS**

Constructions - 3LS 32, 40, 50, 65	300, 301
Constructions - 3LS 80-160	302
Constructions - 3LS 65-250, 80	303
Constructions : Mechanical Seal	304
Constructions : Coupling	305

**-DIMENSIONS**

Dimension Index	400
Dimensions - 3LS 32, 40, 50	401
Dimensions - 3LS 32, 65	402
Dimensions - 3LS 32, 40, 50, 65	403
Dimensions - 3LS 40, 50, 65	404
Dimensions - 3LS 80-160	405
Dimensions - 3LS 65-250, 80	406
Dimensions - 3LS 80-200-250	407
Dimensions - 3LS 80-250/55	408
Dimensions - 3LSF 32, 40, 50	(Pump End Kit) 409
Dimensions - 3LSF 32, 40, 50, 65	(Pump End Kit) 410

(Continued)

		<b>Page</b>
Dimensions - 3LSF 65-250, 80	<i>(Pump End Kit)</i>	411
Packing and weight	<i>(Complete with motor)</i>	412
Packing and weight	<i>(Pump End Kit)</i>	413
 <b>-TECHNICAL DATA</b>		
Motor Data		500

## SPECIFICATIONS - FEATURES &amp; APPLICATIONS

V09



Note: 65-250 & 80mm models have precision cast 316 s/s casings.

These series of stainless steel pumps feature a unique one piece volute casing that are produced using an advanced computer controlled plasma stamping system that ensures total quality control during manufacture (up to 65-200/22). With the smooth surfaces of stamped stainless steel, this results in consistent high standard products, of superior quality and high efficiency.

## Features

- Stainless steel liquid end components
  - High quality; corrosion resistance.
  - Manufactured in Stamped 316L and Cast 316 in larger models.
- High quality mechanical shaft seals and o-rings
  - Fitted standard with SiC/SiC/Viton mechanical seal.
- Standard IEC motors used
  - Allowing for single phase, special enclosure, or specific brand motors to be fitted.
- Close coupled design
  - Saves space; simplifies maintenance and installation.
- Back pullout construction
  - Assembly and overhaul of the impeller and seal without disturbing suction and discharge connections.
- High operating efficiency
  - Lowers operating costs.
- Top centerline discharge and foot support under casing
  - Ensures self-venting and reduces misalignment from pipe loads.
- Available in "Kit" form
  - "Kit" consists of complete pump wet end, cast iron motor bracket, stub shaft, motor support and all fasteners.

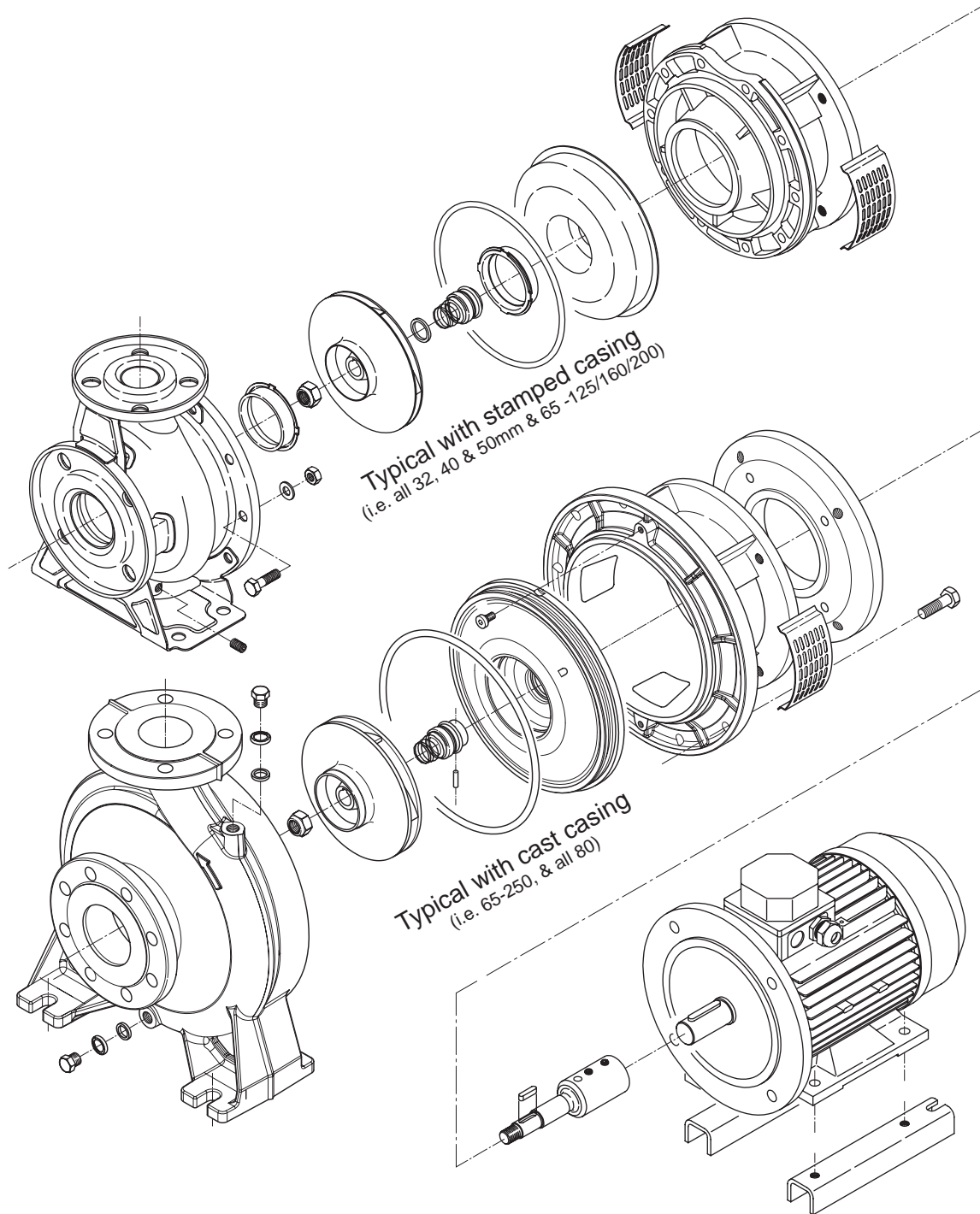


## Applications

- Plant services
- Water supply systems
- Washing plants
- Cooling water
- Ultrapure water systems
- Air conditioning
- Sprinkler/flow irrigation
- OEM equipment application
- Pressure boosting
- Liquid transfer
- Heat exchanger
- Spray systems
- Heating
- Beverage processing
- Pharmaceutical services
- Water reclamation and treatment

SPECIFICATIONS -TYPICAL CROSS SECTIONAL VIEW

V09



## PUMP SPECIFICATIONS

2 POLE 50 Hz

V09

Liquid Handled	Type of Liquid	Clean water & moderately aggressive fluids			
	Liquid Temperature	Minimum -10°C to Maximum 110°C			
Maximum Working Pressure		1 MPa			
Construction	Impeller	32,40,50 mm models	Closed centrifugal type (welded) [Reinforced laser welding for 40-200/11.0 & 50-200/15]		
		65,80 mm models	Closed 3 dimensional centrifugal Type (cast)		
	Bearings	Sealed Ball Bearing			
Pipe Connections	Discharge X Suction	32-125/160/200	32 mm	x	50 mm
		40-125/160/200	40 mm	x	65 mm
		50-125/160/200	50 mm	x	65 mm
		65-125/160/200/250	65 mm	x	80 mm
		80-160/200/250	80 mm	x	100 mm
Materials	Casing	All 32, 40 & 50 65-125/160/200	AISI 316 L Stainless Steel (stamped) [EN 1.4404]		
		65-250 All 80	AISI 316 Stainless Steel (precision cast) [EN 1.4401]		
	Impeller	All 32, 40 & 50	AISI 316 L Stainless Steel (stamped) [EN 1.4404]		
		All 65 & 80	AISI 316 Stainless Steel (precision cast) [EN 1.4401]		
	Casing Cover	All 32, 40 & 50 65-125/160/200 80-160	AISI 316 L Stainless Steel (stamped) [EN 1.4404]		
		65-250 80-200/250	AISI 316 Stainless Steel (precision cast) [EN 1.4401]		
		O-ring (casing)	FPM [Viton]		
	Mechanical Seal (& Shaft diameter)	All 32, 40 & 50 65 up to 11 kW	1.1~15 kW	22mmØ	SiC/SiC/FPM [Viton] with anti rotation device for stationary seat.
		65 -160/200/250 80-160/200	4.0~11 kW	30mmØ	
		80-160/200	15~37 kW	35mmØ	
		80-250	11~37 kW	35mmØ	
	Stub Shaft (& diameter at impeller)	All 32, 40, 50 & 65 up to 11 kW	1.1~11 kW	19mmØ	Up to 22 kW AISI 316 Stainless Steel [EN 1.4404]
		50-200/15	4.0~11 kW	22mmØ	
		65 -160/200/250 80-160/200	15 kW	24mmØ	30 to 55 kW Duplex Stainless Steel [EN 1.4462]
80-250		11~37 kW	29 mmØ		
	Bracket	Cast Iron [& Aluminum depending on motor used]			

CASING

IMPELLER

CASING COVER

Stamped  
Stainless Steel (316L)  
All 32, 40 & 50  
65-125/160/200

Precision Cast  
Stainless Steel (316)  
65-250, All 80

Stamped  
Stainless Steel (316L)  
All 32,40 & 50

Precision Cast  
Stainless Steel  
All 65 & 80

Stamped  
Stainless Steel (316L)  
All 32, 40 & 50  
65-125/160/200, 80-160

Precision Cast  
Stainless Steel (316)  
65-250, 80-200/250



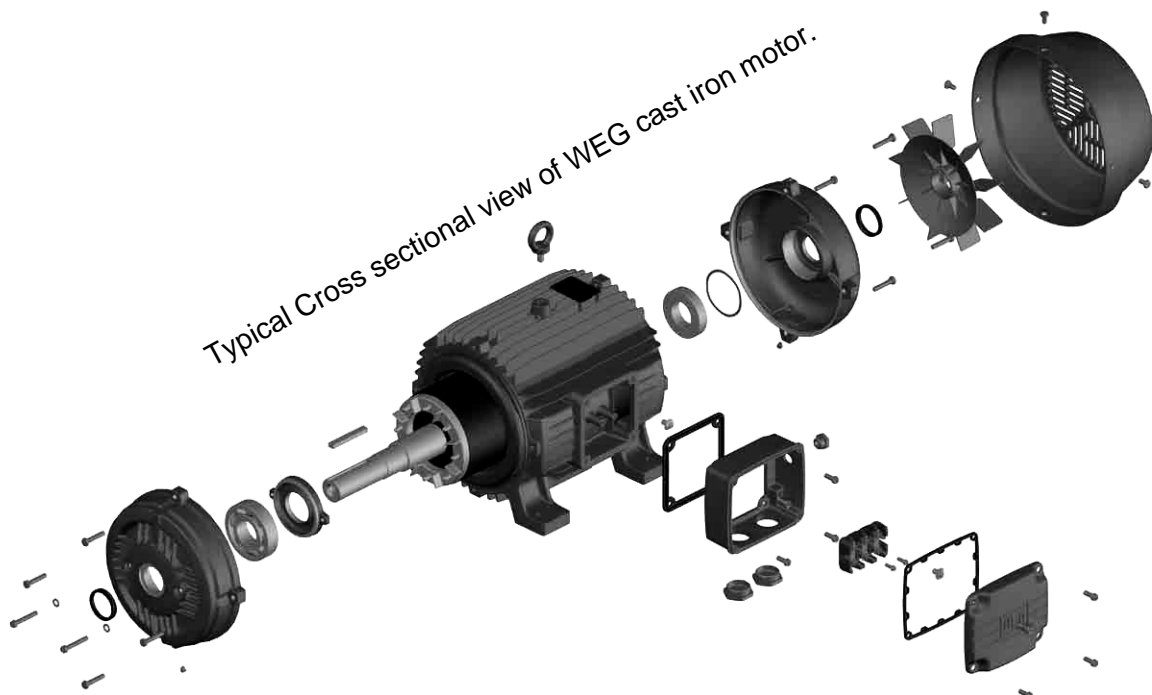
**MOTOR SPECIFICATIONS**

2 POLE 50 Hz

V09

Version	3LS	
Type	Electric-TEFC Three phase	
No.of Poles	2	
Rotation speed [min <sup>-1</sup> ]	~2900	
Insulation class	Class F (class B for temperature rise)	
Protection degree	IP 55	
Power rating [kW]	1.1 ÷ 55	
[HP]	1.5 ÷ 75	
Frequency [HZ]	50	
Voltage [V]	220÷240 / 380÷415 ±5% (up to 3.0 kW) 380÷415 / 660÷690 ±5% (4.0 kW and above)	
Casing material	Cast iron	
Flange mount (IEC motor)	IM B5 (up to 2.2 kW)  IM B35 (3.0 kw and above)	

Note : Specifications refer to Standard motors.  
WEG motors are generally used, but other brands and types are available.



SELECTION CHART

2 POLE 50 Hz

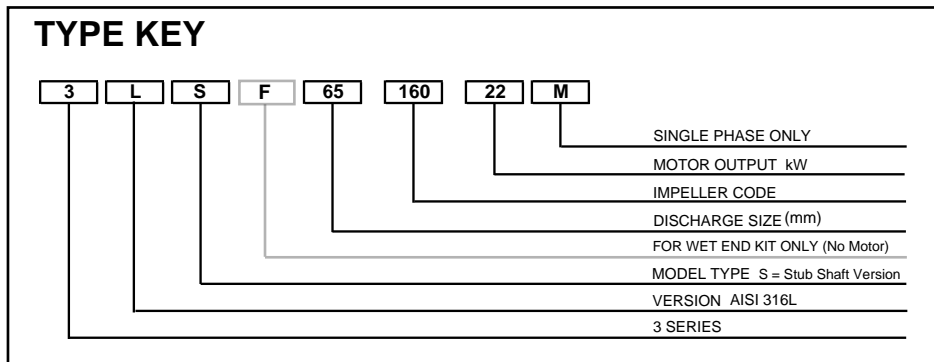
V09

3 SERIES: 32, 40, 50 VERSION

Pump type	kW	HP	Flow Rate															
			l/min m³/h	0	100	150	200	300	333	360	400	450	500	600	700	800	1000	1200
32-125/1.1	1.1	1.5	22.5	21	19.9	18.4	14.1	12	-	-	-	-	-	-	-	-	-	-
32-160/1.5	1.5	2	29.5	28	26.5	24.5	19.2	17	-	-	-	-	-	-	-	-	-	-
32-160/2.2	2.2	3	37	35.5	34	32	27	25	-	-	-	-	-	-	-	-	-	-
32-200/3.0	3	4	44	42	40	37.5	31	28	-	-	-	-	-	-	-	-	-	-
32-200/4.0	4	5.5	55	53.5	52	49.5	43.5	40.5	38	-	-	-	-	-	-	-	-	-
32-200/5.5	5.5	7.5	70.5	69	67.5	65	58.5	-	-	-	-	-	-	-	-	-	-	-
32-200/7.5	7.5	10	70.5	69	67.5	65	58.5	55.5	53	49	44	-	-	-	-	-	-	-
40-125/1.5	1.5	2	20	-	-	19	17.6	17	16.5	15.7	14.5	13.2	10.3	7	-	-	-	-
40-125/2.2	2.2	3	26.5	-	-	25.5	24	23.5	23	22	21	19.5	16.4	13	-	-	-	-
40-160/3.0	3	4	31	-	-	29.5	27.5	27	26.5	25.5	24	22.5	20	17	-	-	-	-
40-160/4.0	4	5.5	40	-	-	38.5	37	36	35.5	34.5	33	32	29	25.5	-	-	-	-
40-200/5.5	5.5	7.5	47	-	-	45.5	44	43	42.5	41	39.5	38	35	31	-	-	-	-
40-200/7.5	7.5	10	58	-	-	57	55.5	55	54.5	53.5	52.5	51	47.5	44	-	-	-	-
40-200/11	11	15	72	-	-	71	70	70	69.5	68.5	67.5	66	63	59	-	-	-	-
50-125/2.2	2.2	3	19	-	-	-	-	-	-	17.5	17	16.3	14.9	13.4	11.7	8	-	-
50-125/3.0	3	4	22	-	-	-	-	-	-	20.5	20	19.6	18.4	17	15.4	11.8	8	-
50-125/4.0	4	5.5	26.5	-	-	-	-	-	-	26	25.5	25	24	22.5	21.5	17.9	14	-
50-160/5.5	5.5	7.5	33	-	-	-	-	-	-	31	30.5	30	28.5	27	25.5	22	18	-
50-160/7.5	7.5	10	40	-	-	-	-	-	-	38.5	38	37.5	36	35	33.5	30	26	-
50-200/9.2	9.2	12.5	53	-	-	-	-	-	-	-	-	50	49	47.5	45.5	40.5	34	-
50-200/11	11	15	59	-	-	-	-	-	-	-	-	56	55	54	52	48	42	-
50-200/15	15	20	72	-	-	-	-	-	-	-	-	70	69	68	66	62	57	-

3 SERIES: 65, 80 VERSION

Pump type	kW	HP	Flow Rate																		
			l/min m³/h	0	600	700	900	1300	1500	1700	1900	2100	2200	2300	2400	2500	3000	3400	3600	3800	4000
65-125/4.0	4	5.5	22.2	19.8	19	17.3	13.3	11	8.6	6.3	-	-	-	-	-	-	-	-	-	-	-
65-125/5.5	5.5	7.5	27	-	24	22.2	18	15.7	13.3	10.8	8	-	-	-	-	-	-	-	-	-	-
65-125/7.5	7.5	10	32	-	29.5	27.8	23.5	21.1	18.7	16.1	13.4	12	-	-	-	-	-	-	-	-	-
65-160/9.2	9.2	12.5	36.5	-	34.5	32.8	28.8	26.5	23.9	21.1	18.3	16.8	-	-	-	-	-	-	-	-	-
65-160/11	11	15	40.5	-	38.5	37.1	33.1	30.9	28.4	25.8	23	21.5	20	-	-	-	-	-	-	-	-
65-160/15	15	20	48	-	45.5	44	40	37.8	35.3	32.6	29.6	28	26.5	-	-	-	-	-	-	-	-
65-200/15	15	20	53.5	-	51	49	44	41.5	38.4	35.3	31.8	30	-	-	-	-	-	-	-	-	-
65-200/18.5	18.5	25	60.5	-	58.5	56.5	51.5	49	46	43	39.7	38	36.3	-	-	-	-	-	-	-	-
65-200/22	22	30	67	-	65.5	64	59.5	57	54	51	48	46.5	45	-	-	-	-	-	-	-	-
65-250/30	30	40	78	-	-	77	73.5	71	68	64.5	60	57.5	55	52	-	-	-	-	-	-	-
65-250/37	37	50	89	-	-	88	85.5	83	80.5	77.5	74	72	70	67.5	65	-	-	-	-	-	-
80-160/11	11	15	29	-	-	-	27.3	26.4	25.4	24.2	23	22.4	21.8	21.1	20.4	16.4	12.5	-	-	-	-
80-160/15	15	20	35	-	-	-	34	33.3	32.5	31.5	30.5	30	29.4	28.8	28.1	24.4	21	19.1	17	-	-
80-160/18.5	18.5	25	40	-	-	-	39	38.4	37.6	36.7	35.7	35.2	34.7	34.1	33.5	30	26.4	24.4	22.3	20	-
80-200/22	22	30	50	-	-	-	48	47	45.5	44.5	43	42	41	40	39	33.2	27.8	25	-	-	-
80-200/30	30	40	60	-	-	-	58.5	58	57	56	54.5	54	53	52	51	46.5	41.5	39	36.1	33	-
80-200/37	37	50	66	-	-	-	64	63	62	61	59.5	59	58	57.5	56.5	51.5	47	44.5	41.5	38.5	-
80-250/45	45	60	84	-	-	-	82.5	81.5	80	78	76	75	73.5	72.5	71	62	53	48	42.5	-	-
80-250/55	55	75	95	-	-	-	93.5	92.5	91.5	90	88.5	87.5	86.5	85.5	84	76.5	68.5	64.5	60	55	-

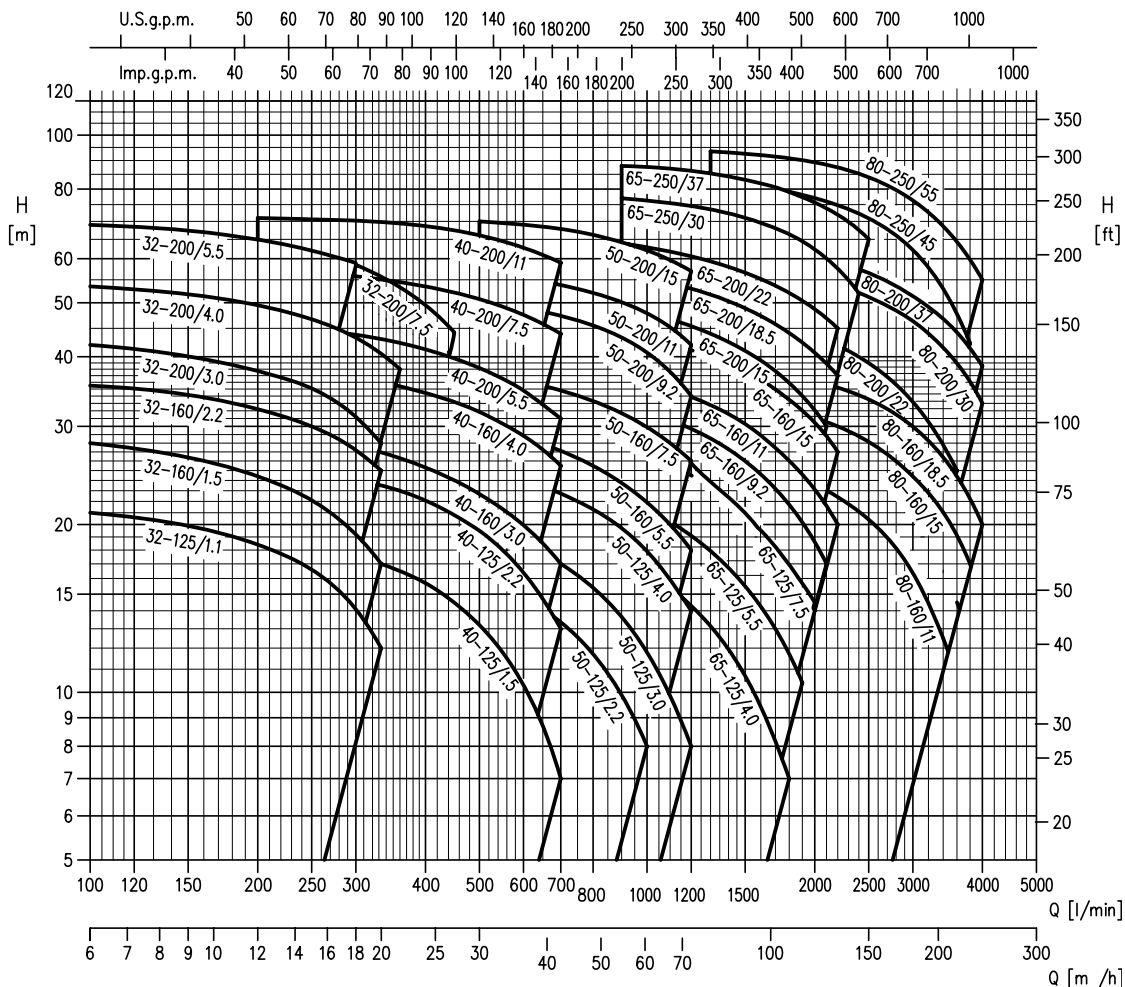




SELECTION CHART

2 POLE 50 Hz

V09

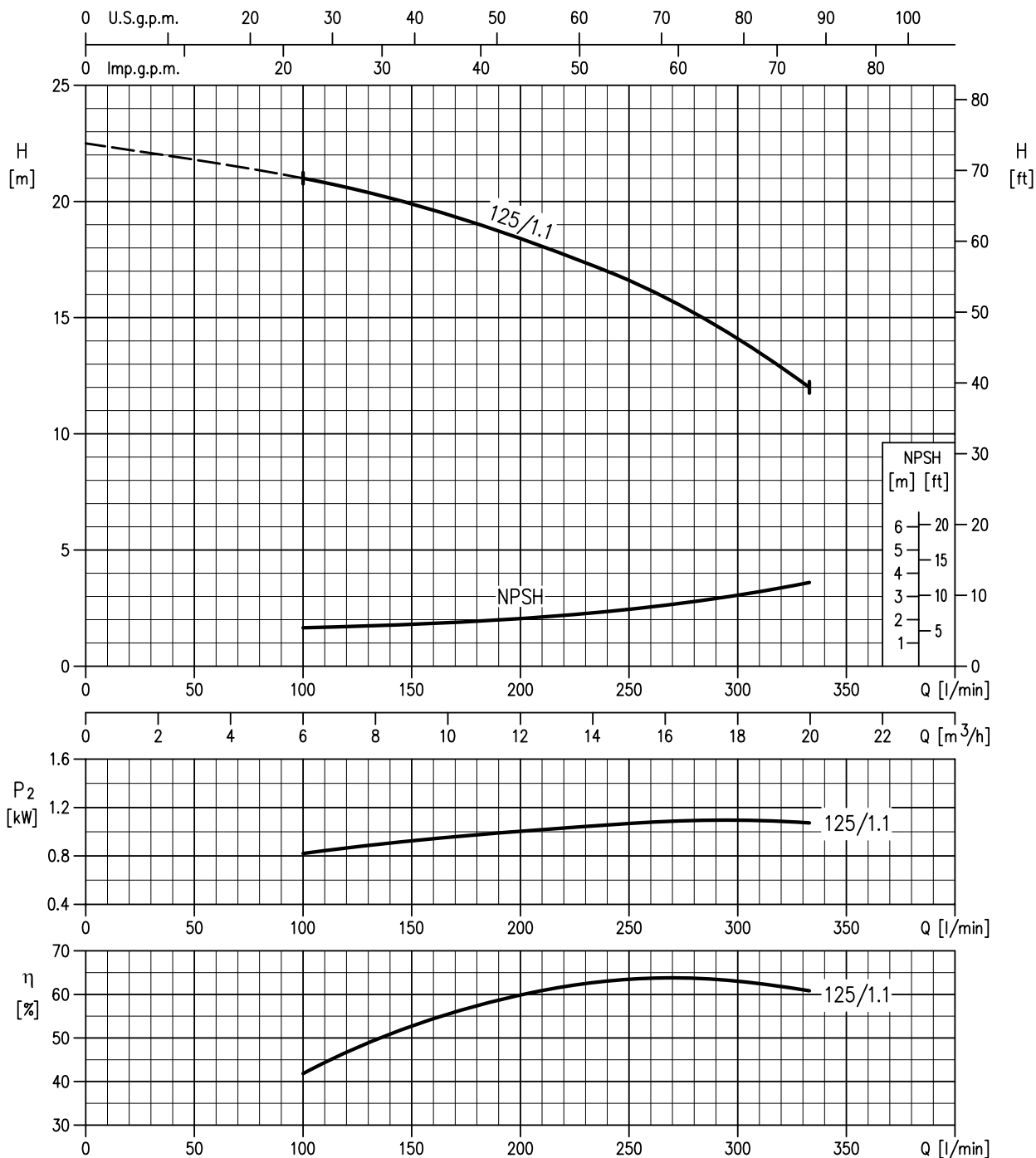


PERFORMANCE CURVES

The specifications below qualify the curves shown on the following pages.

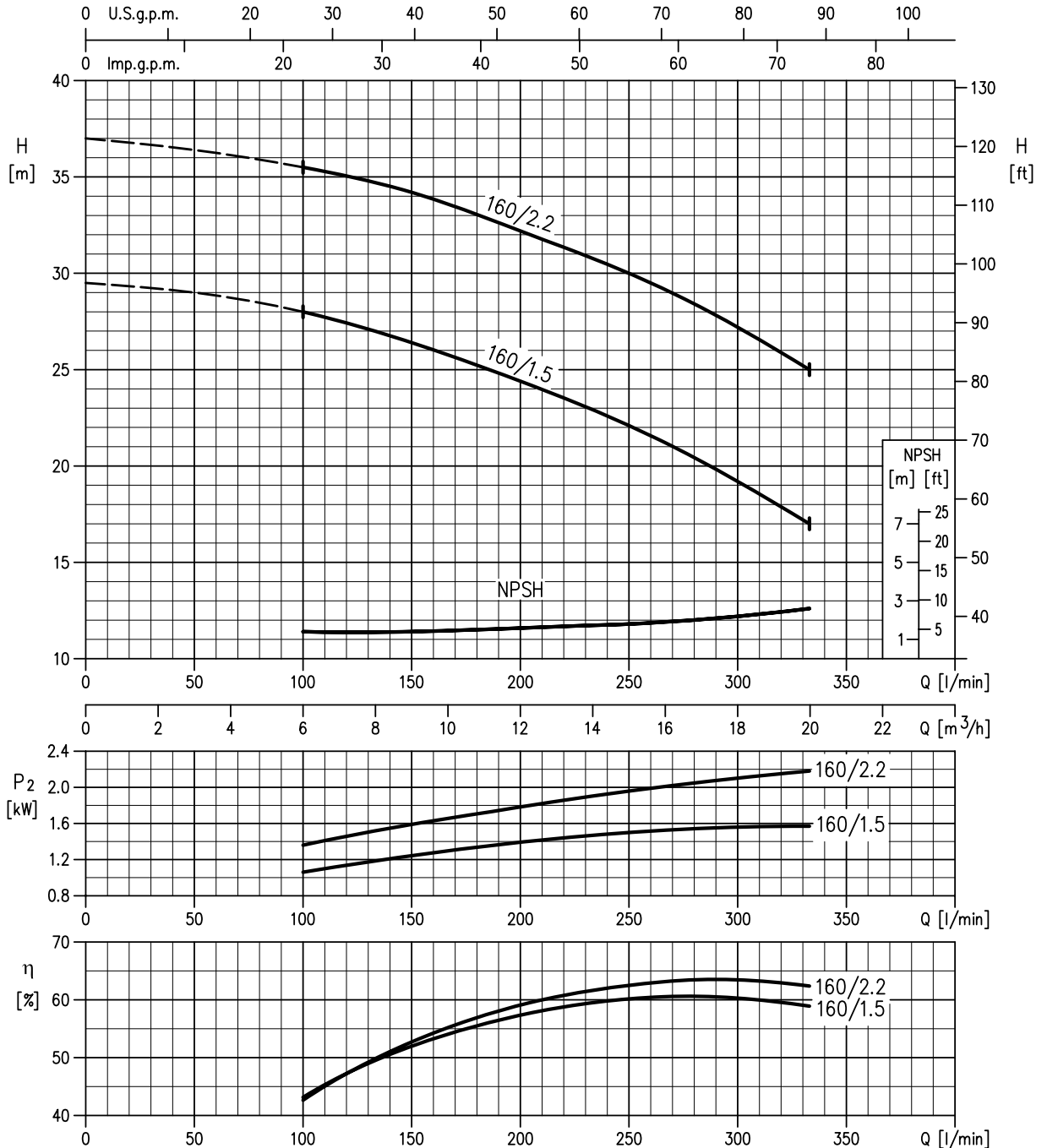
- ◆ Tolerances according to ISO 9906 Annex A
- ◆ The curves refer to effective speed of asynchronous motors at 50 Hz
- ◆ Measurements were carried out with clean water at 20°C, with a kinematic viscosity of  $\nu = 1 \text{ mm}^2/\text{s}$  (1 cSt)
- ◆ The NPSH curve is an average curve obtained in the same conditions of performance curves. During the pump selection, consider to get a safety margin of at least 1 m.
- ◆ The continuous curves indicate the recommended working range. The dotted curve is only a guide.
- ◆ In order to avoid the risk of over-heating, the pumps should not be used at a flow rate below 10% of best efficiency point.
- ◆ Symbols explanation:
  - Q = volume flow rate
  - H = total head
  - $P_2$  = pump power input (shaft power)
  - $\eta$  = pump efficiency
  - NPSH = net positive suction head required by the pump

32-125/1.1 (1.1kW) – impeller diameter = 133 mm



Rotation speed ≈2900 min<sup>-1</sup>  
 Test standard : ISO 9906 Annex A

32-160/1.5 (1.5kW) – impeller diameter = 151 mm  
 32-160/2.2 (2.2kW) – impeller diameter = 166 mm



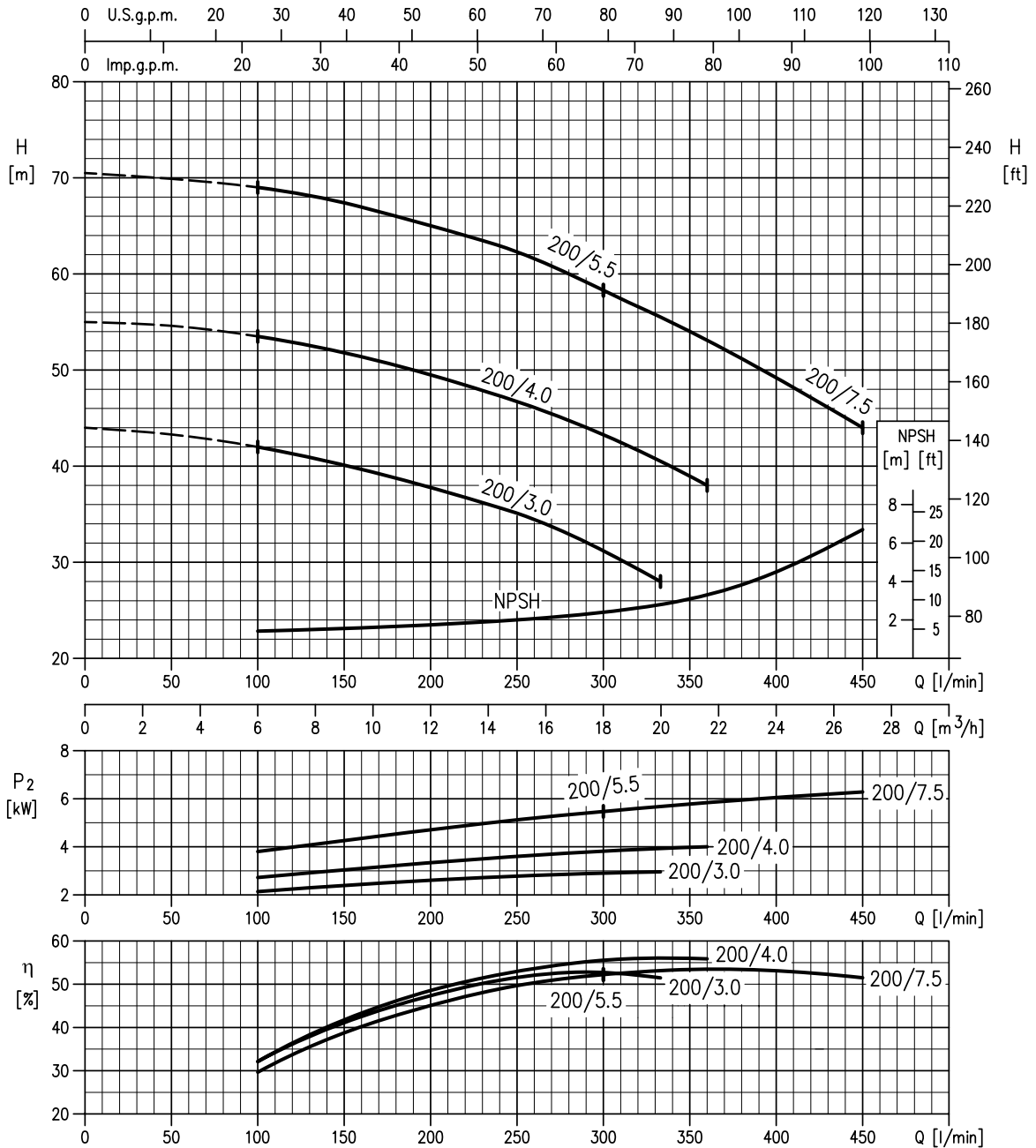
Rotation speed ≈2900 min<sup>-1</sup>  
 Test standard : ISO 9906 Annex A

PERFORMANCE CURVE

2 POLE 50 Hz

V09

32-200/3 (3.0kW) – impeller diameter = 186 mm  
 32-200/4 (4.0kW) – impeller diameter = 200 mm  
 32-200/5.5 (5.5kW) – impeller diameter = 224 mm  
 32-200/7.5 (7.5kW) – impeller diameter = 224 mm



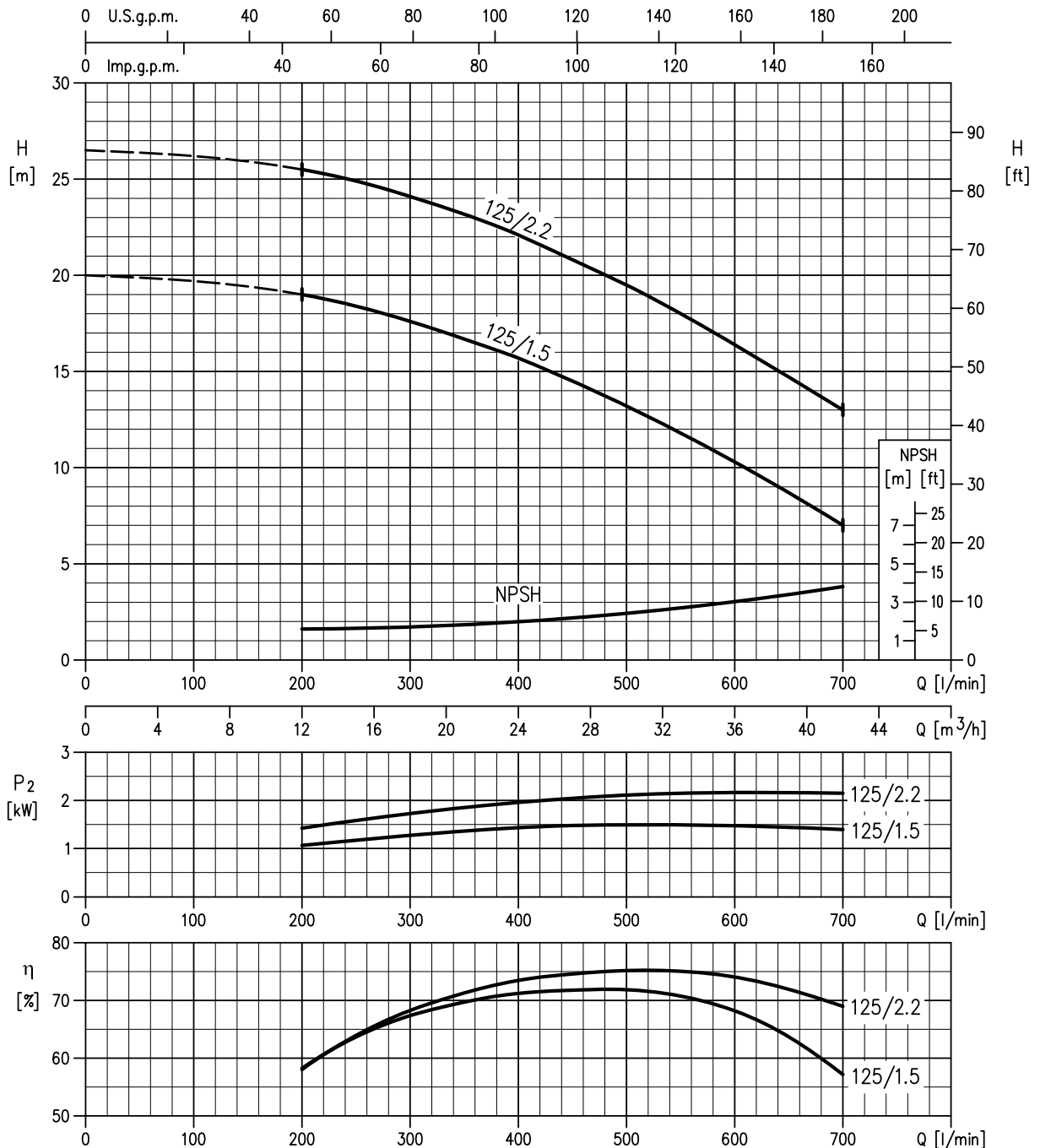
Rotation speed ≈2900 min<sup>-1</sup>  
 Test standard : ISO 9906 Annex A

PERFORMANCE CURVE

2 POLE 50 Hz

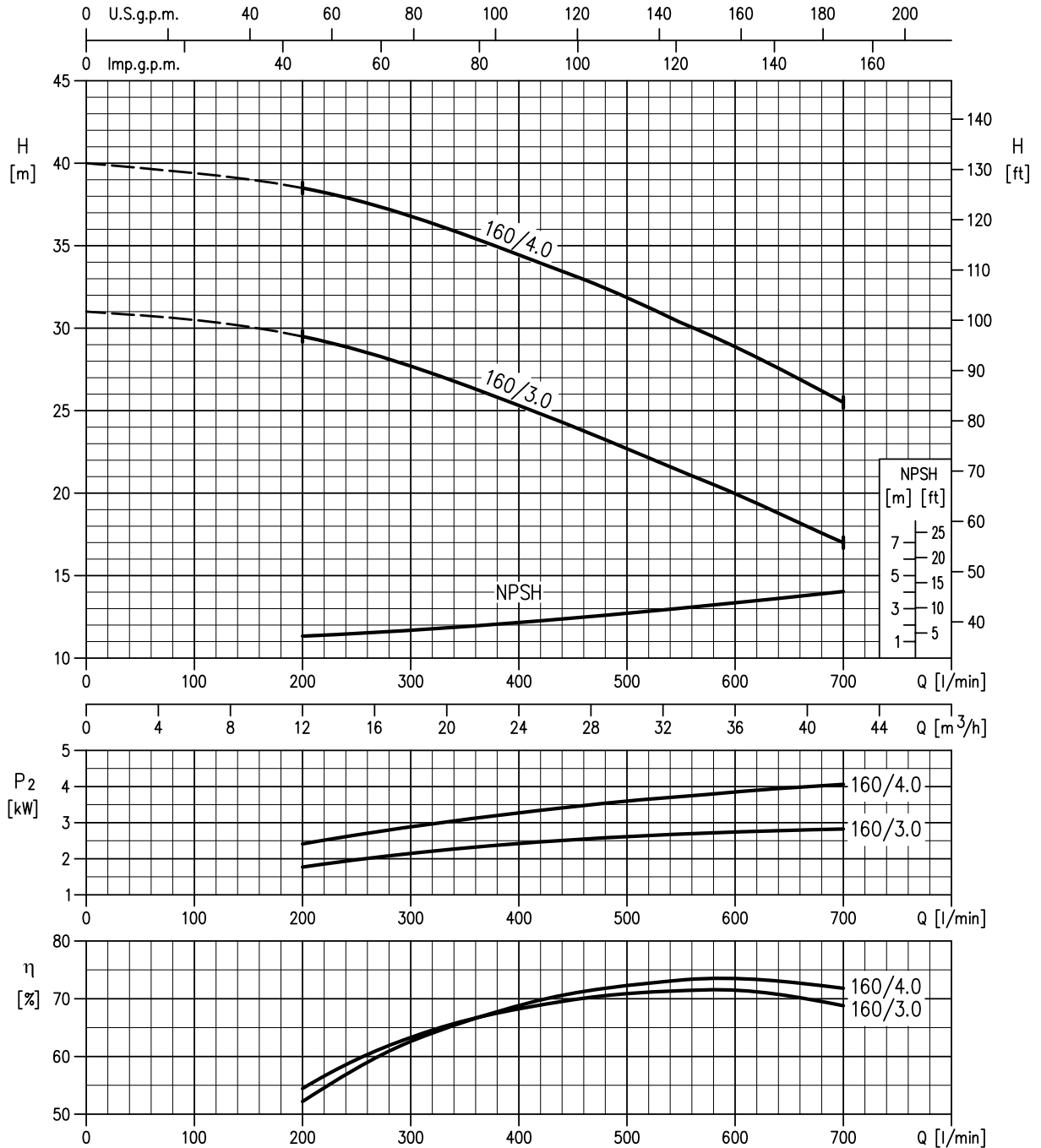
V09

40-125/1.5 (1.5kW) – impeller diameter = 125 mm  
 40-125/2.2 (2.2kW) – impeller diameter = 140 mm



Rotation speed ≈2900 min<sup>-1</sup>  
 Test standard : ISO 9906 Annex A

40-160/3 (3.0kW) – impeller diameter = 151 mm  
 40-160/4 (4.0kW) – impeller diameter = 166 mm



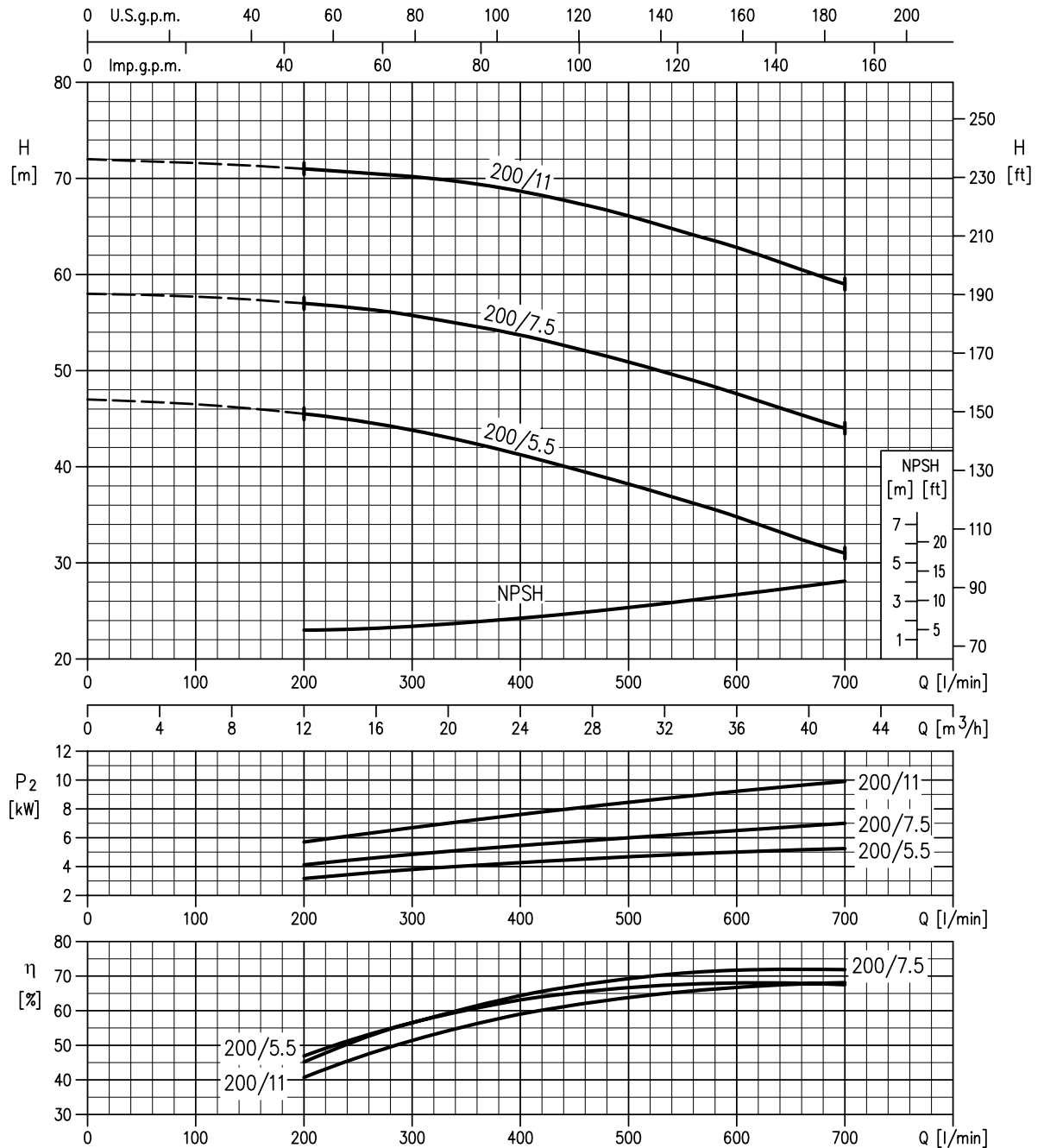
Rotation speed ≈2900 min<sup>-1</sup>  
 Test standard : ISO 9906 Annex A

PERFORMANCE CURVE

2 POLE 50 Hz

V09

40-200/5.5 (5.5kW) – impeller diameter = 183 mm  
 40-200/7.5 (7.5kW) – impeller diameter = 200 mm  
 40-200/11 (11kW) – impeller diameter = 224 mm



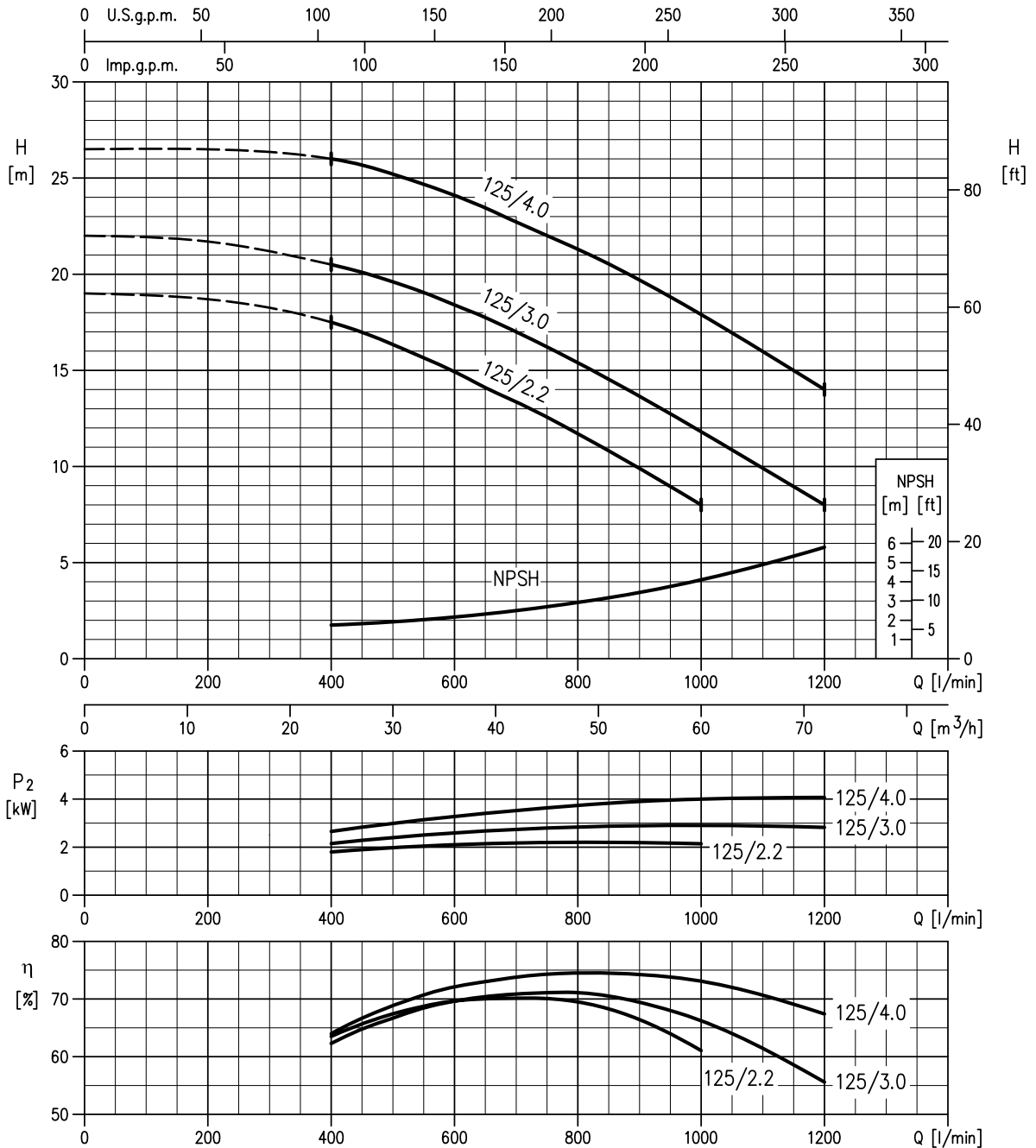
Rotation speed ≈2900 min<sup>-1</sup>  
 Test standard : ISO 9906 Annex A

PERFORMANCE CURVE

2 POLE 50 Hz

V09

50-125/2.2 (2.2kW) – impeller diameter = 126 mm  
 50-125/3 (3.0kW) – impeller diameter = 131 mm  
 50-125/4 (4.0kW) – impeller diameter = 140 mm



Rotation speed ≈ 2900 min<sup>-1</sup>  
 Test standard : ISO 9906 Annex A

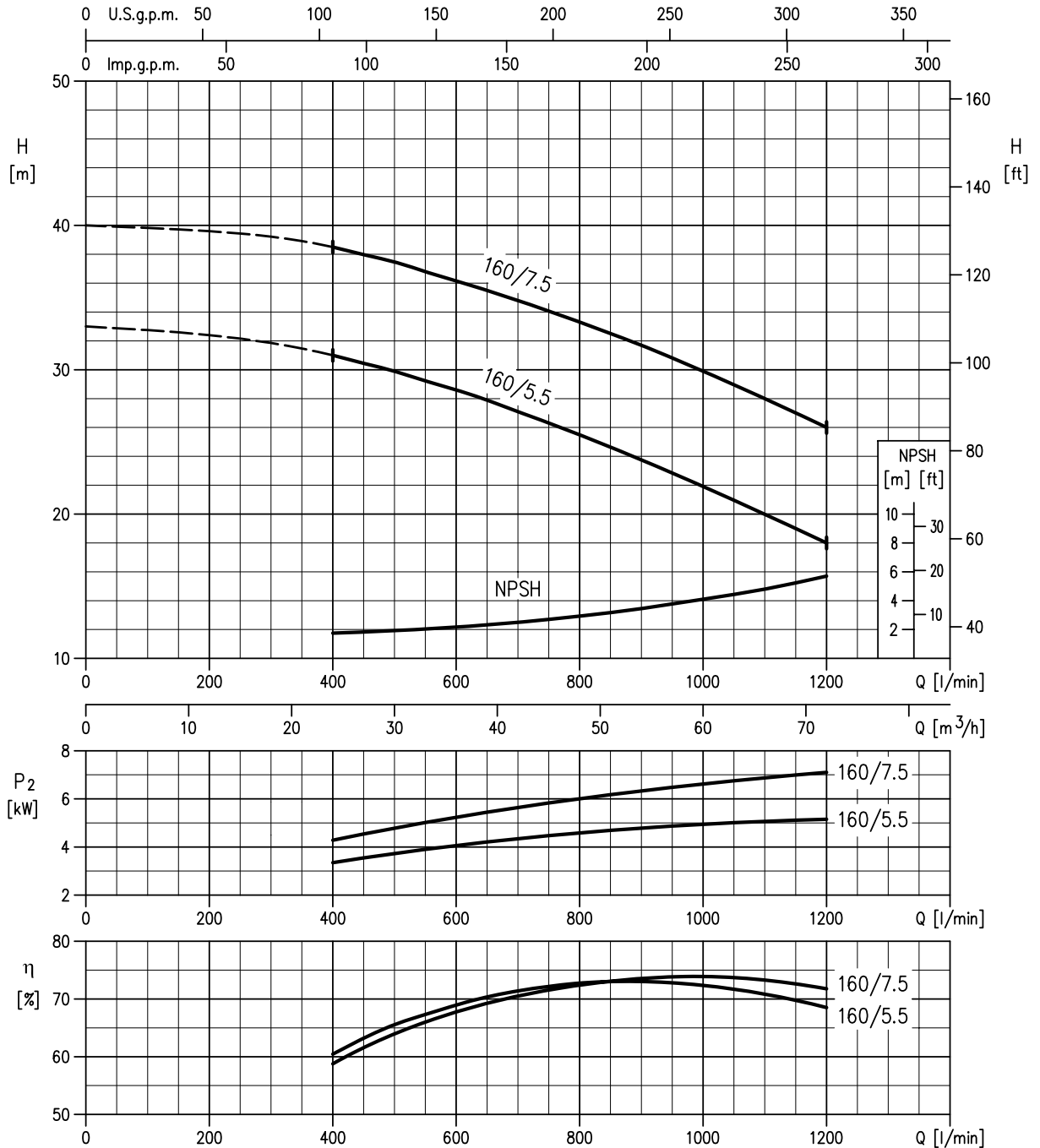


PERFORMANCE CURVE

2 POLE 50 Hz

V09

50-160/5.5 (5.5kW) – impeller diameter = 154 mm  
 50-160/7.5 (7.5kW) – impeller diameter = 166 mm



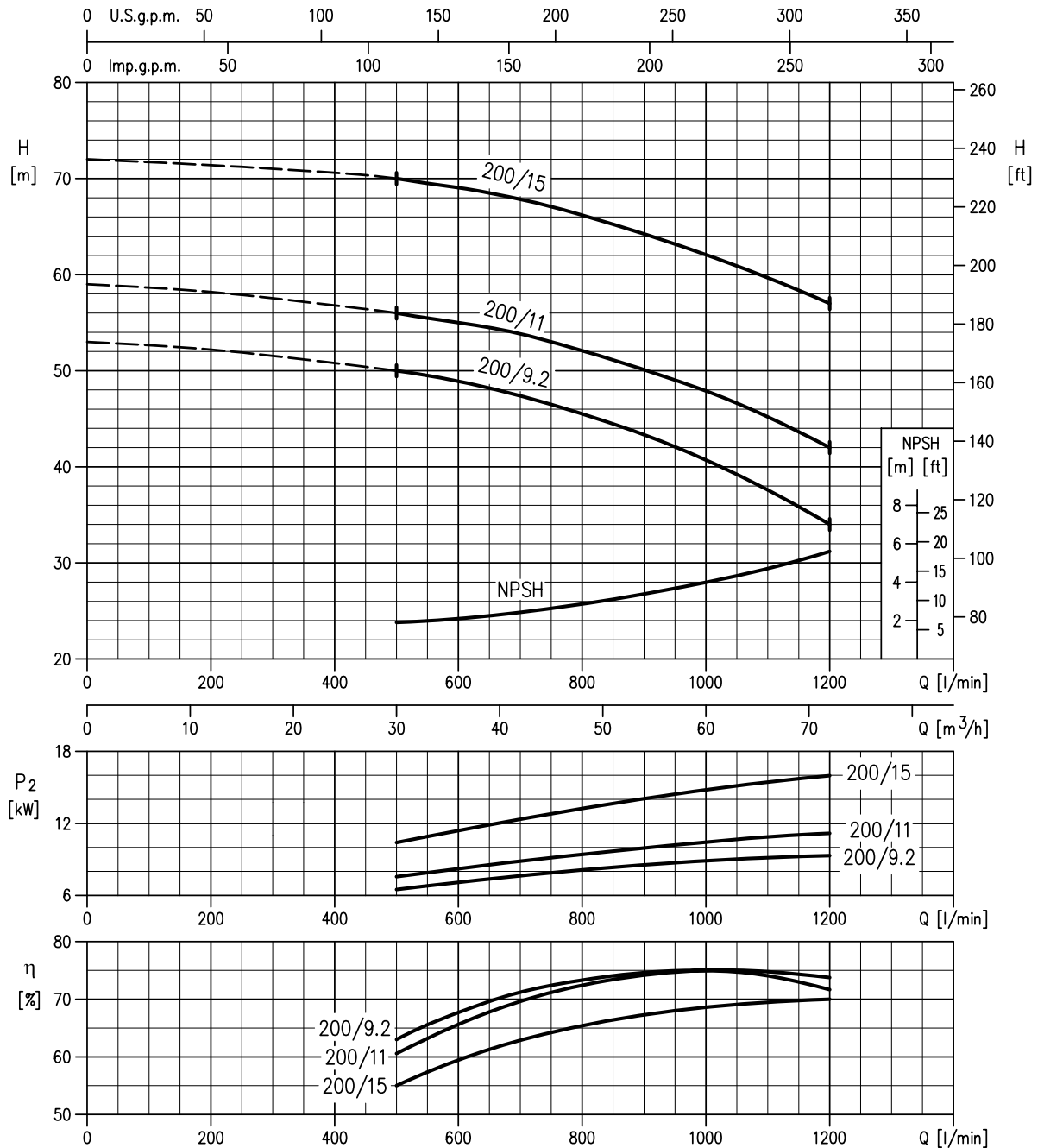
Rotation speed ≈ 2900 min<sup>-1</sup>  
 Test standard : ISO 9906 Annex A

PERFORMANCE CURVE

2 POLE 50 Hz

V09

50-200/9.2 (9.2kW) – impeller diameter = 191 mm  
 50-200/11 (11kW) – impeller diameter = 200 mm  
 50-200/15 (15kW) – impeller diameter = 224 mm



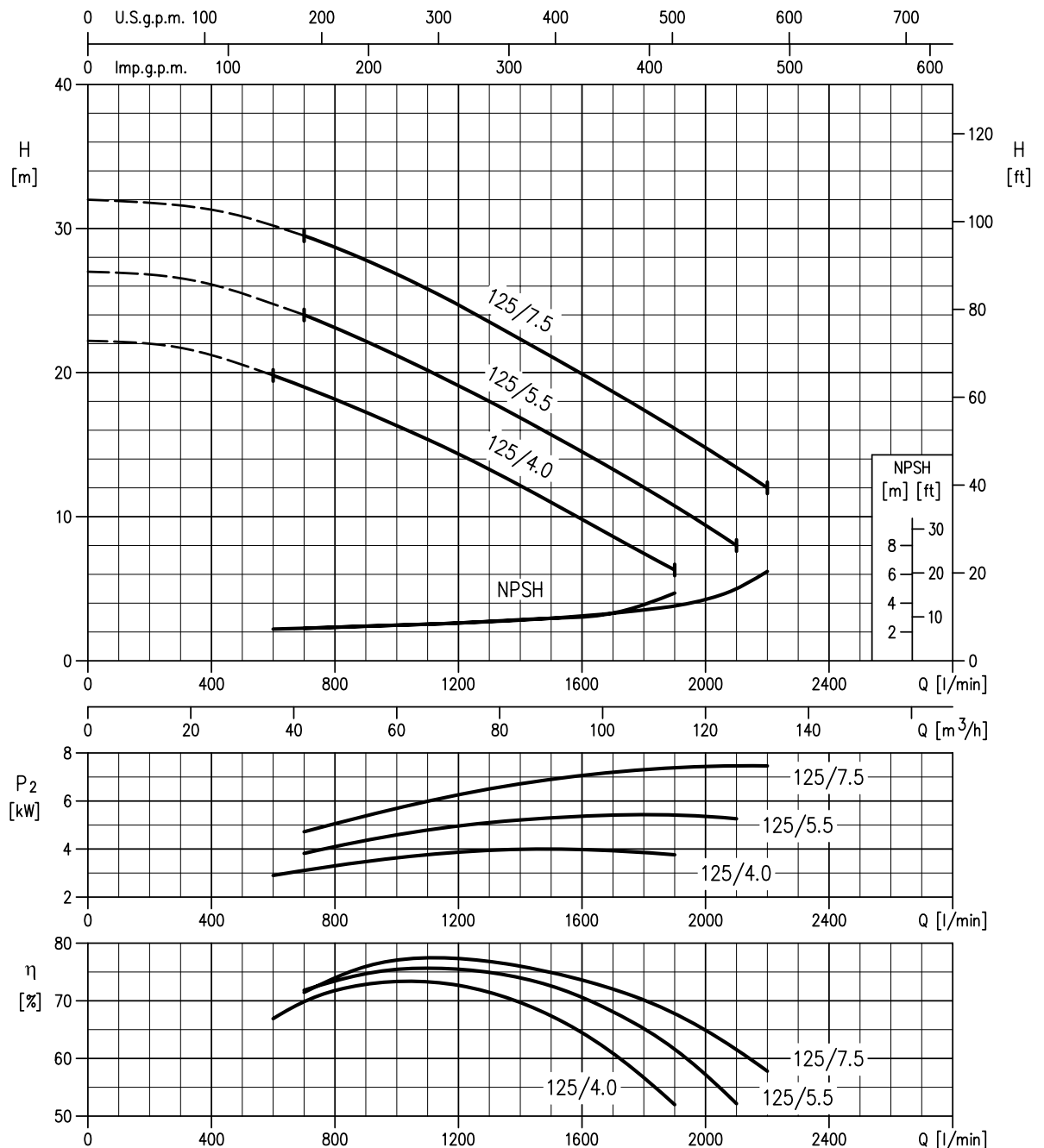
Rotation speed ≈2900 min<sup>-1</sup>  
 Test standard : ISO 9906 Annex A

PERFORMANCE CURVE

2 POLE 50 Hz

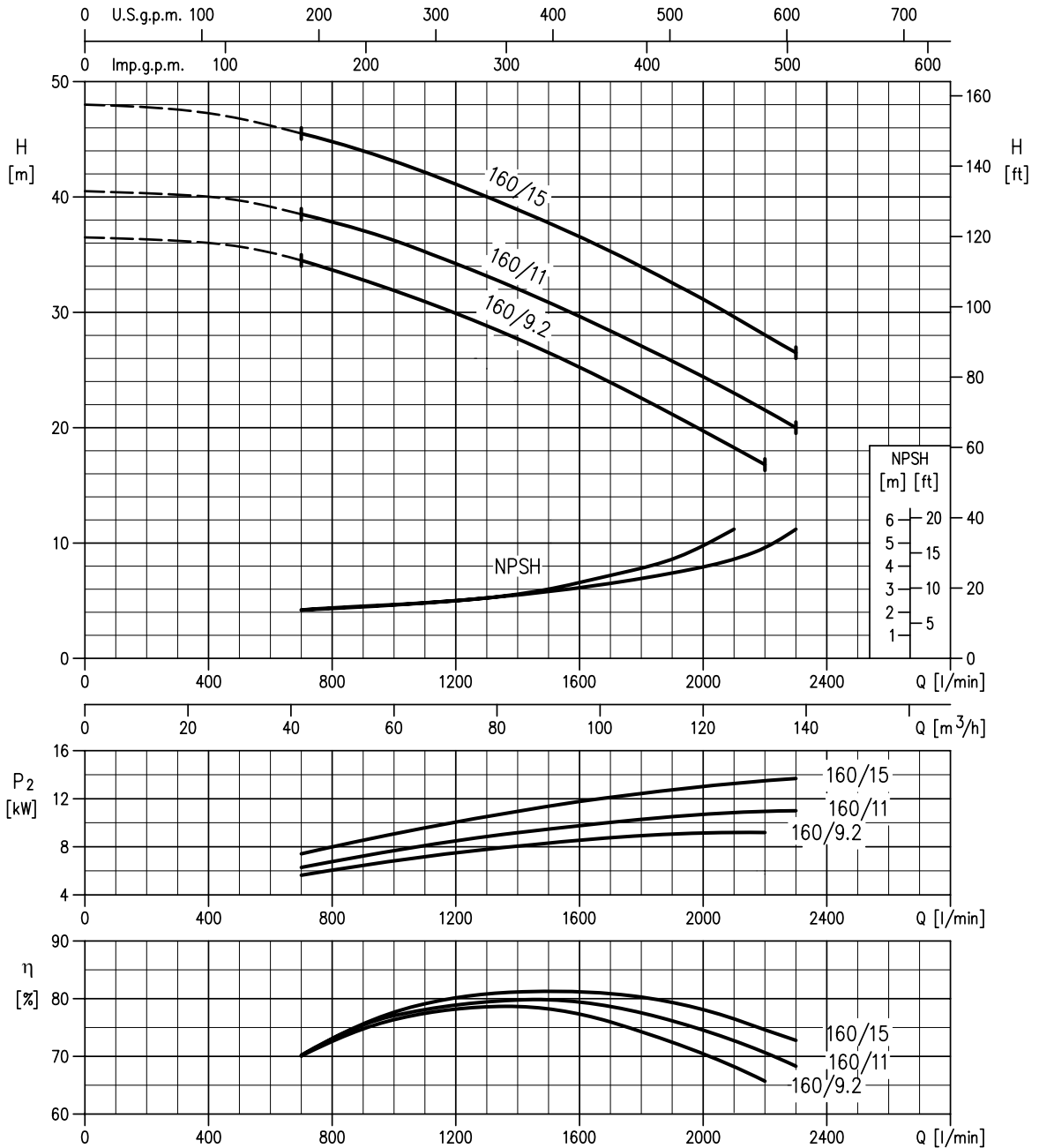
V09

65-125/4 (4.0kW) – impeller diameter = 128 mm  
 65-125/5.5 (5.5kW) – impeller diameter = 138 mm  
 65-125/7.5 (7.5kW) – impeller diameter = 149 mm



Rotation speed ≈2900 min<sup>-1</sup>  
 Test standard : ISO 9906 Annex A

65-160/9.2 (9.2kW) – impeller diameter = 161 mm  
 65-160/11 (11kW) – impeller diameter = 168 mm  
 65-160/15 (15kW) – impeller diameter = 178 mm



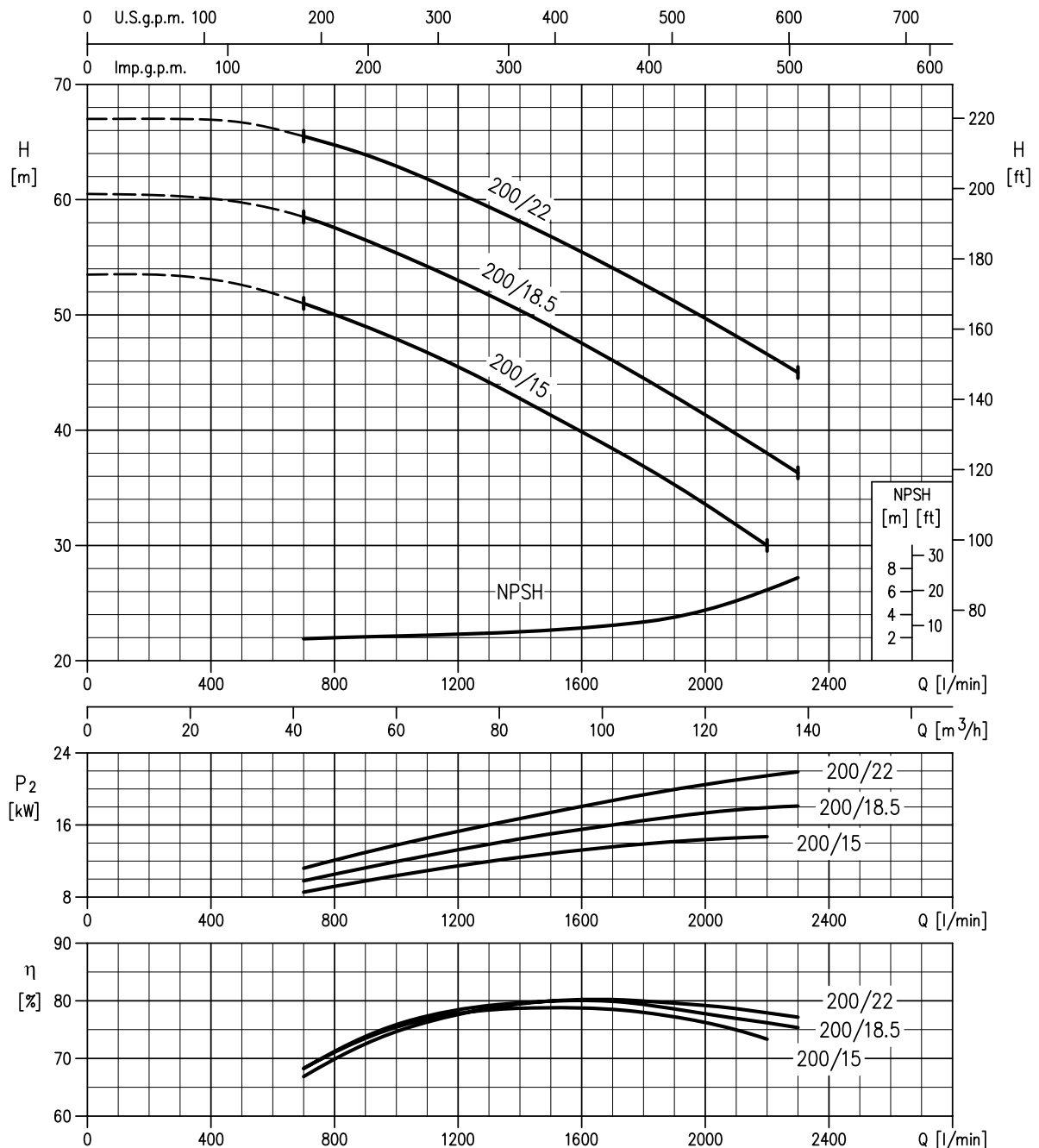
Rotation speed ≈2900 min<sup>-1</sup>  
 Test standard : ISO 9906 Annex A

PERFORMANCE CURVE

2 POLE 50 Hz

V09

65-200/15 (15kW) – impeller diameter = 190 mm  
 65-200/18.5 (18.5kW) – impeller diameter = 201 mm  
 65-200/22 (22kW) – impeller diameter = 212 mm



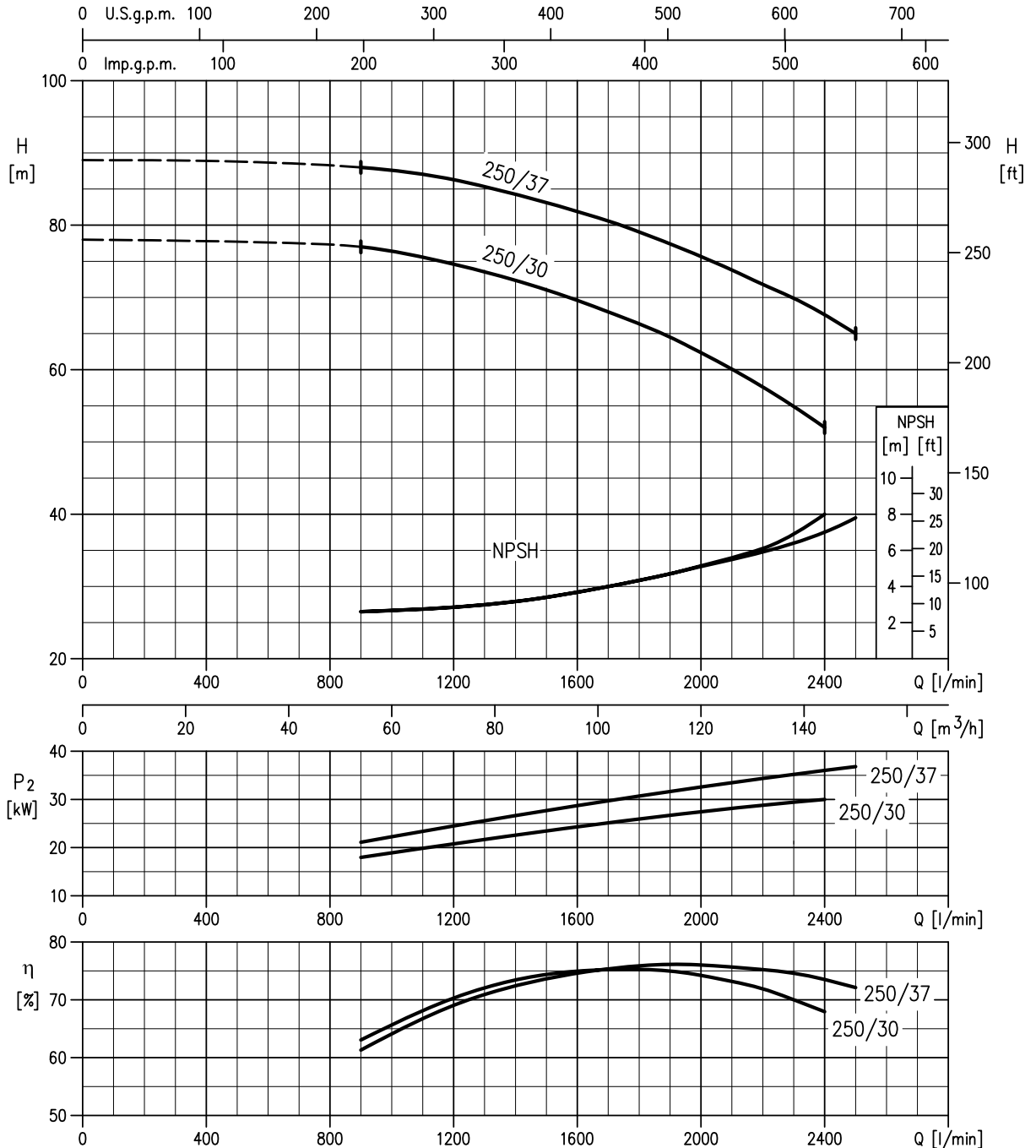
Rotation speed ≈2900 min<sup>-1</sup>  
 Test standard : ISO 9906 Annex A

PERFORMANCE CURVE

2 POLE 50 Hz

V09

65-250/30 (30kW) – impeller diameter = 235 mm  
 65-250/37 (37kW) – impeller diameter = 250 mm



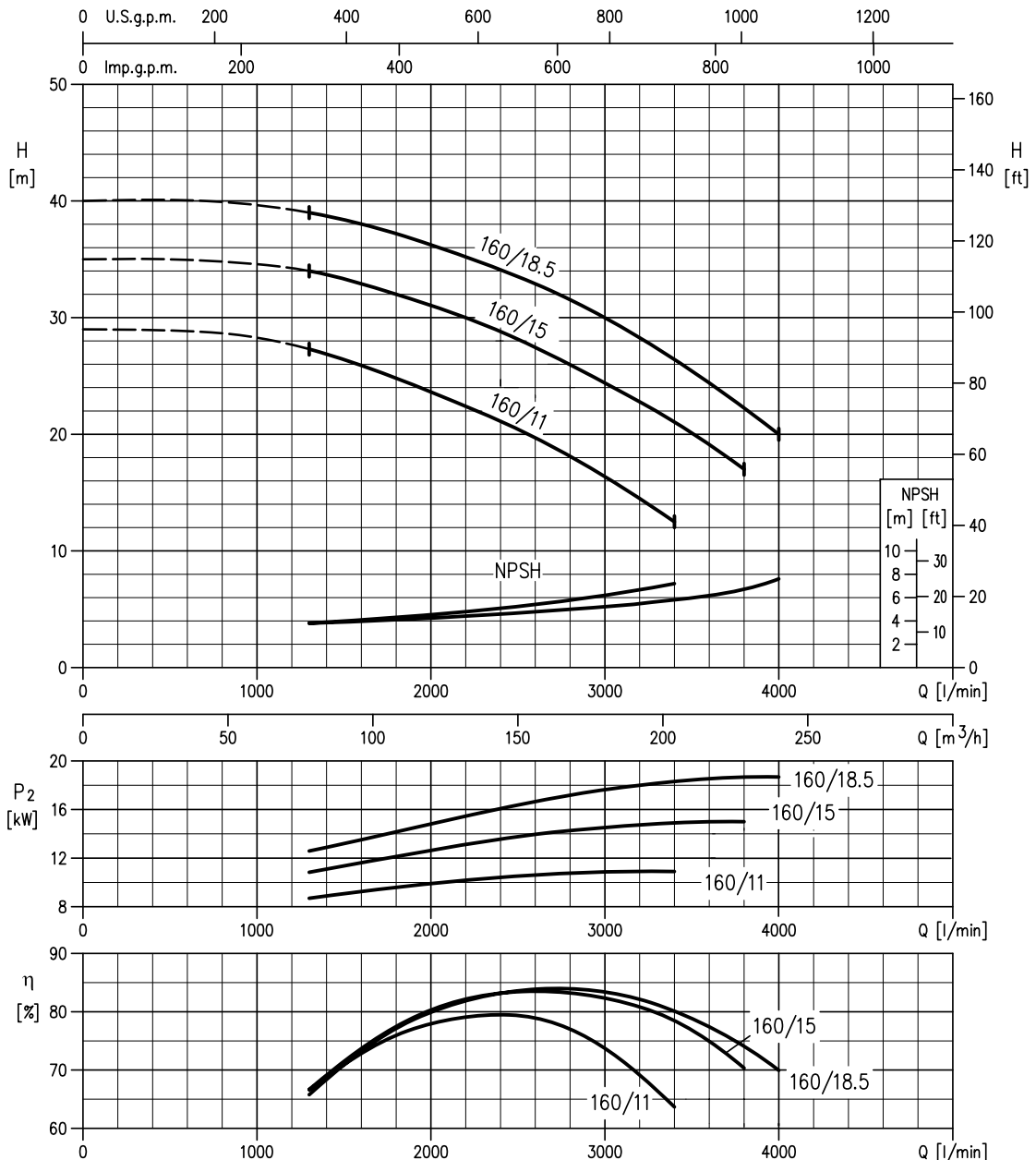
Rotation speed ≈2900 min<sup>-1</sup>  
 Test standard : ISO 9906 Annex A

PERFORMANCE CURVE

2 POLE 50 Hz

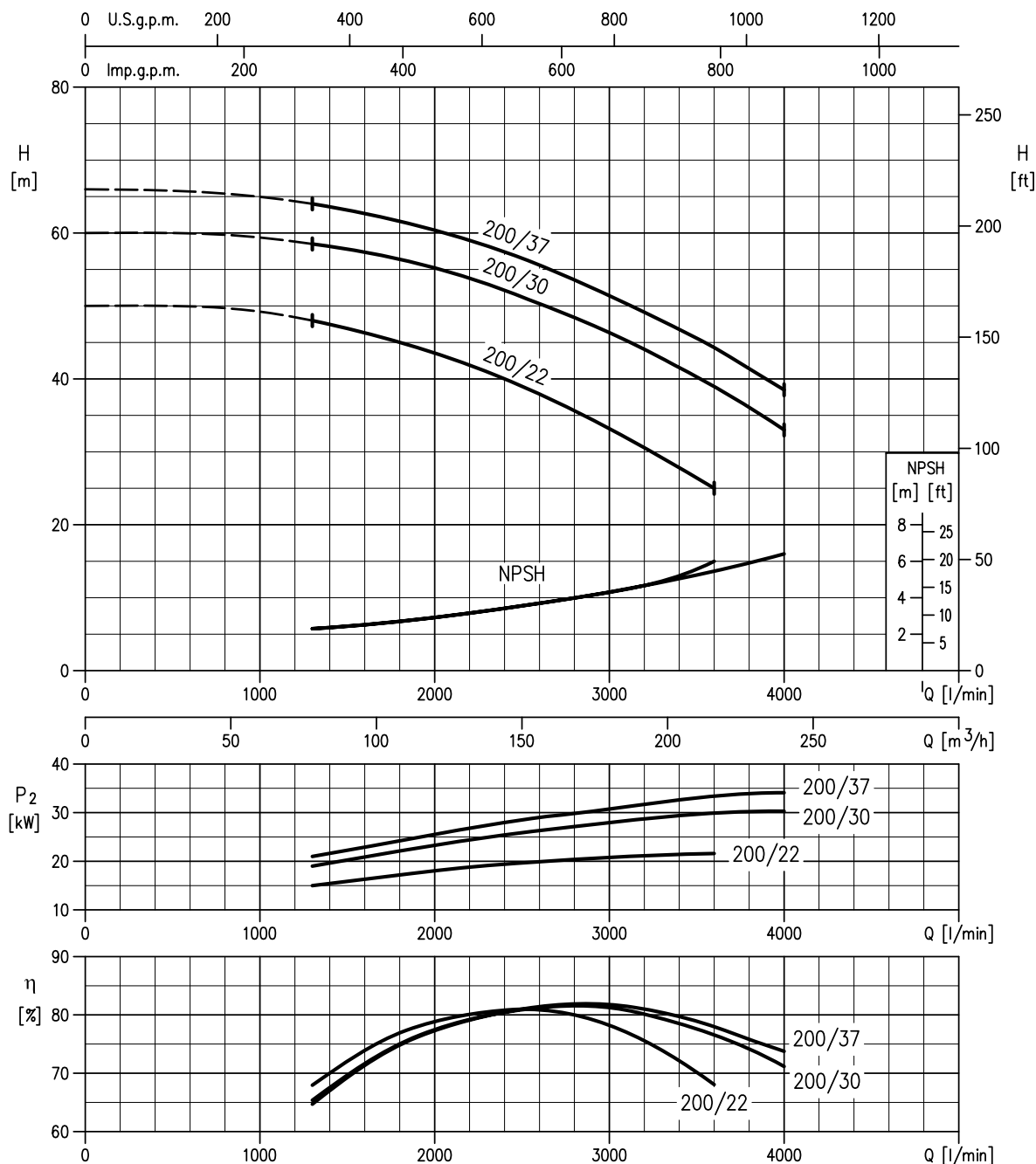
V09

80-160/11 (11kW) – impeller diameter = 154 mm  
 80-160/15 (15kW) – impeller diameter = 165 mm  
 80-160/18.5 (18.5kW) – impeller diameter = 174 mm



Rotation speed ≈ 2900 min<sup>-1</sup>  
 Test standard : ISO 9906 Annex A

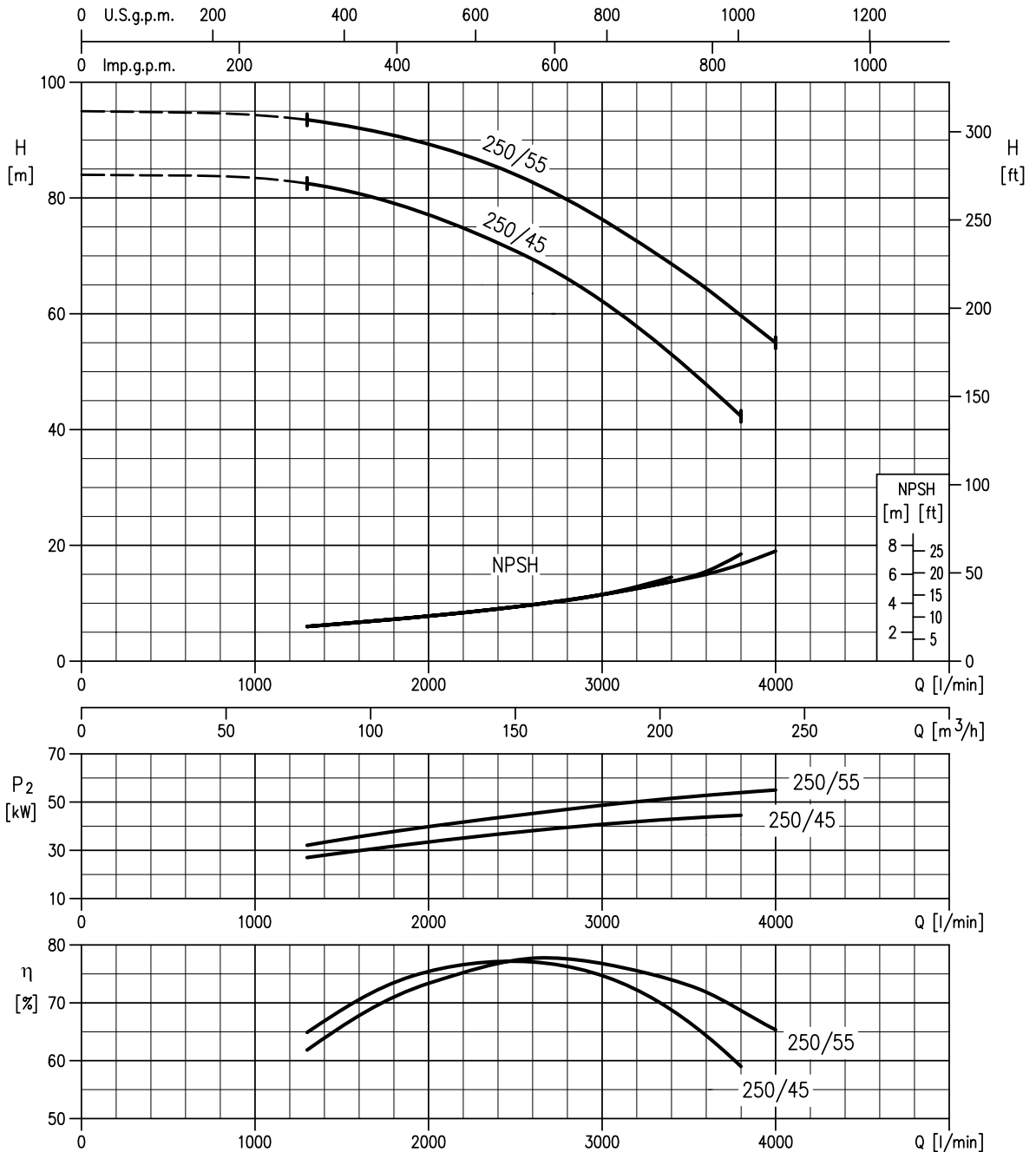
80-200/22 (22kW) – impeller diameter = 196 mm  
 80-200/30 (30kW) – impeller diameter = 211 mm  
 80-200/37 (37kW) – impeller diameter = 219 mm



Rotation speed ≈2900 min<sup>-1</sup>  
 Test standard : ISO 9906 Annex A



80-250/45 (45kW) – impeller diameter = 245 mm  
 80-250/55 (55kW) – impeller diameter = 259 mm



Rotation speed ≈2900 min<sup>-1</sup>  
 Test standard : ISO 9906 Annex A

CONSTRUCTIONS 3LS 32, 40, 50, 65

2 POLE 50 Hz

V09

N°	PART NAME	Fig.	MATERIAL 3LS	DIMENSIONS	STANDARD	N. FOR 1 UNIT	
001	Casing	A	EN 1.4404 (AISI 316L)			1	
003	Motor bracket	A	Cast iron EN-GJL-200-EN 1561			1	
003A	Adapter ring	C	Cast iron EN-GJL-200-EN 1561			1	
004	Casing cover	A	EN 1.4404 (AISI 316L)			1	
006	Coupling - Part in contact with liquid	A	EN 1.4404 (AISI 316L)	See table p. 309		1	
007	Impeller	A	EN 1.4404 (AISI 316L) Cast 316 for 65			1	
011	Mechanical seal	A	SiC/SiC/FPM	See p. 307-308		1	
012	Motor	A	-			1	
025	Draing plug	A	EN 1.4401 (AISI 316) / PTFE	R 1/8" L=8	DIN 906	1	
026	"O" ring	A	FPM	32-125, 40-125	158.11x5.34	OR 6625	1
				32-160, 40-160, 50-125, 65-125	183.52x5.34	OR 6720	
				32-200, 40-200, 50-160, 50-200, 65-160, 65-200	227.96x5.34	OR 6895	
032	Key	A	EN 1.4401 (AISI 316)	Up to 11 kW	6x6x25	UNI 6604	1
				15 kW and above	8x7x30		
034	Impeller nut	A	EN 1.4404 (AISI 316L)	Up to 11kW	M16x1.5	UNI 7474	1
				50-200/15	M18x1.5		
				15 kW and above	M20x1.5		

[2] N° for 1 unit=0 for version 65-200/22

N° for 1 unit=1 for version for 32, 40, 50, 65-125/5.5, 65-125/7.5, 65-160/11, 65-160/15, 65-200/15, 65-200/18.5

N° for 1 unit=2 for version for 65-125/4, 65-160/7.5, 65-160/9.2

[3] Only for version 32-200, 40-200, 50-160, 50-200

[4] N° for 1 unit=10 for 32-160, 40-160, 50-125, 65-125

N° for 1 unit=12 for 32-200, 40-200, 50-160, 50-200, 65-160, 65-200

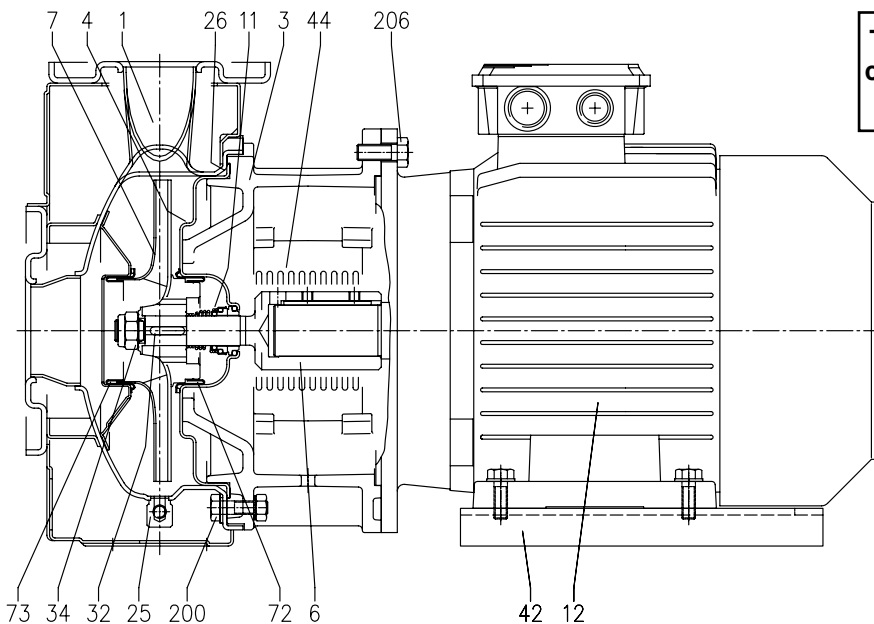


Table reference for model specific constructions (Sectional Drawings) continued on page 301.

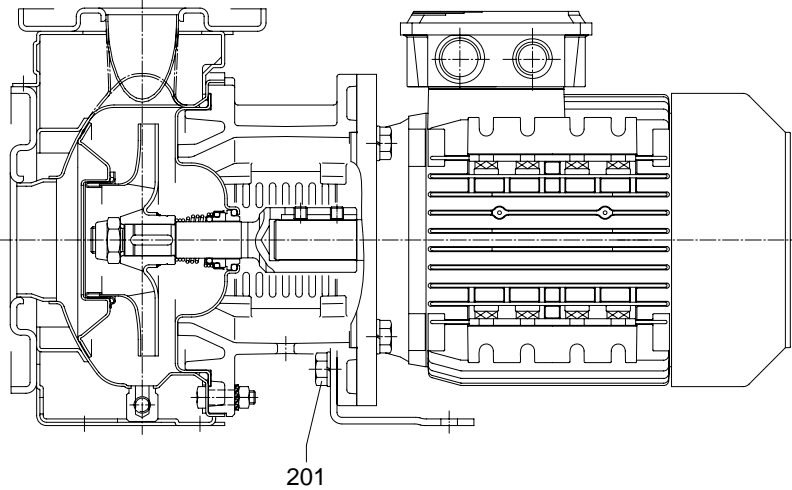


Fig. B

Only for version - 32-125/1.1,  
32-160/1.5, 32-160/2.2, 40-125/1.5,  
50-1/2.2 40-125/2.2,  
(See table page 300 for details also)

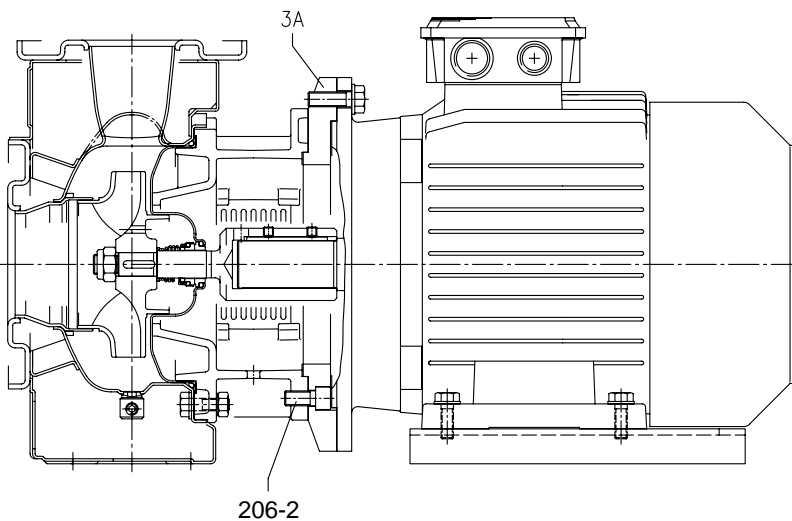


Fig. C

Only for version - 65-125/5.5  
and 65-125/7.5  
(See table page 300 for details also)

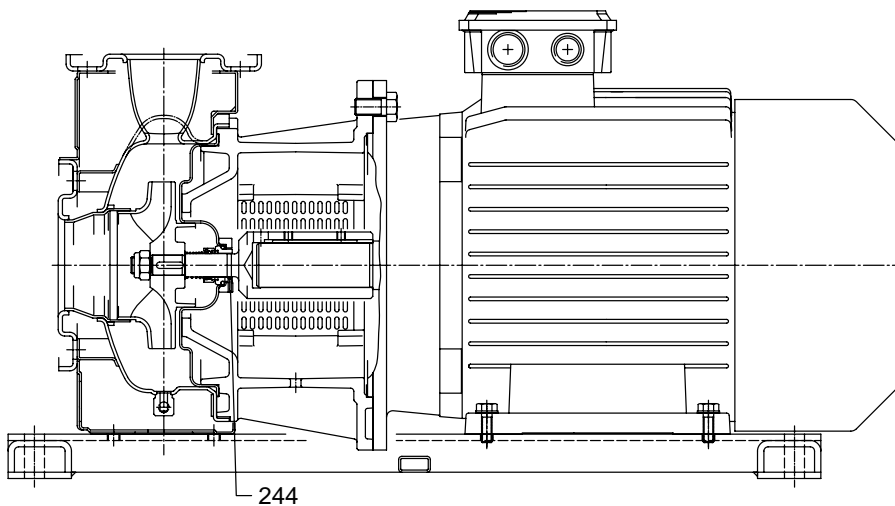


Fig. D

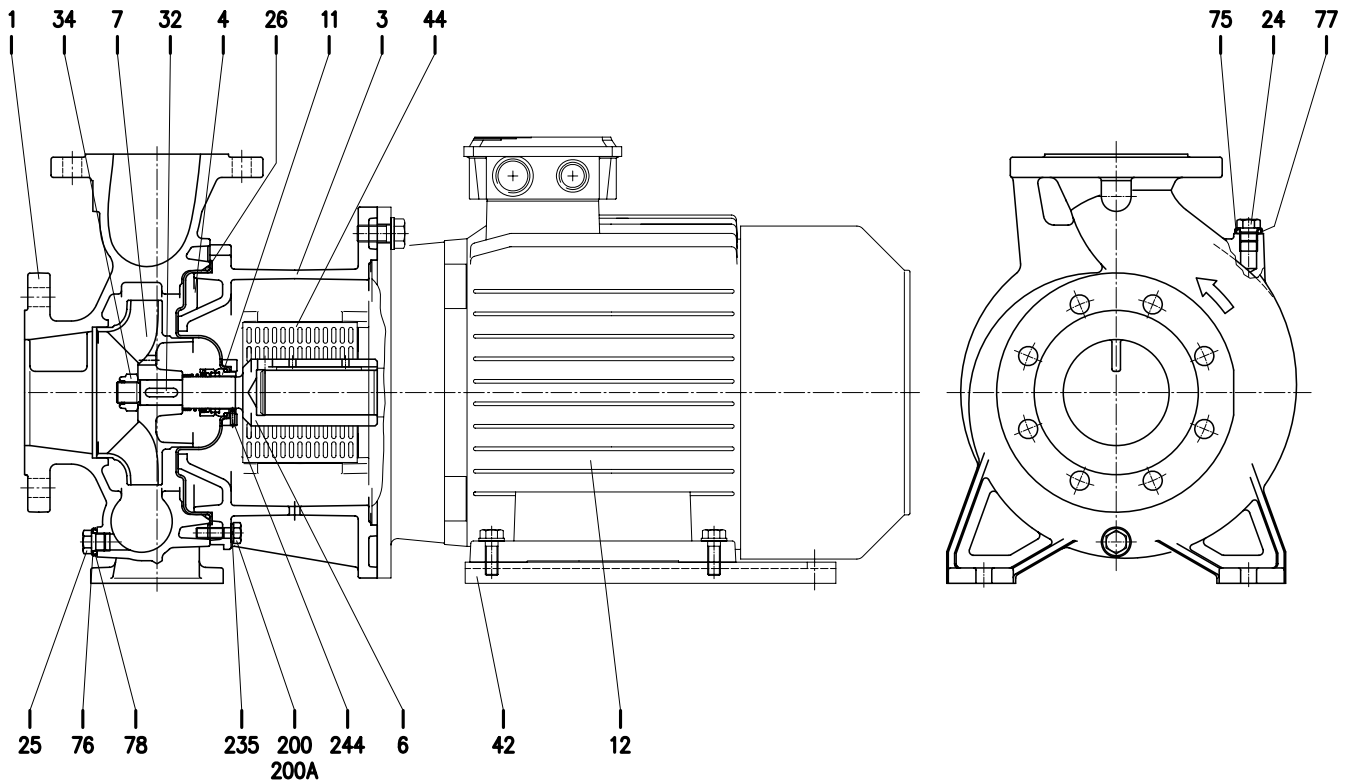
Only for version - 65-160/15,  
65-200  
(See table page 300 for  
details also)

CONSTRUCTIONS 3LS 80-160

2 POLE 50 Hz

V09

N°	PART NAME	MATERIAL	DIMENSIONS	STANDARD	N. FOR 1 UNIT
001	Casing	EN 1.4401 (AISI 316)			1
003	Motor bracket	Cast iron EN-GJL-200-EN 1561			1
004	Casing cover	EN 1.4404 (AISI 316L)			1
006	Coupling	EN 1.4404 (AISI 316L)	See table p. 309		1
007	Impeller	EN 1.4401 (AISI 316)			1
011	Mechanical seal	SiC/SiC/FPM	See p. 307-308		1
012	Motor	-			1
024	Plug	EN 1.4404 (AISI 316L)	G3/8	EPE DRAWING	1
025	Plug	EN 1.4404 (AISI 316L)	G3/8	EPE DRAWING	1
026	"O" ring	FPM	227.96x5.34	OR 6895	1
032	Key	EN 1.4401 (AISI 316)	8x7x30	UNI 6604	1
034	Impeller nut	EN 1.4404 (AISI 316L)	M20x1.5	UNI 7474	1
042	Foot	Aluminium		EPE DRAWING	2
044	Protection	EN 1.4301 (AISI 304)		EPE DRAWING	2
075	Washer (plug)	EN 1.4404 (AISI 316L)			1
076	Washer (plug)				1
077	O-ring (plug)	FPM			1
078	O-ring (plug)				1
200	Screw	Stainless steel A2-70 class ISO 3506/1	M 10x35	UNI 5739	10
200A	Screw		M 10x30		2
235	Washer	EN 1.4301(AISI 304)	10.5	UNI 8842	12
244	Pin	EN 1.4301(AISI 304)	4x15		1



CONSTRUCTIONS 3LS 65-250, 80

2 POLE 50 Hz

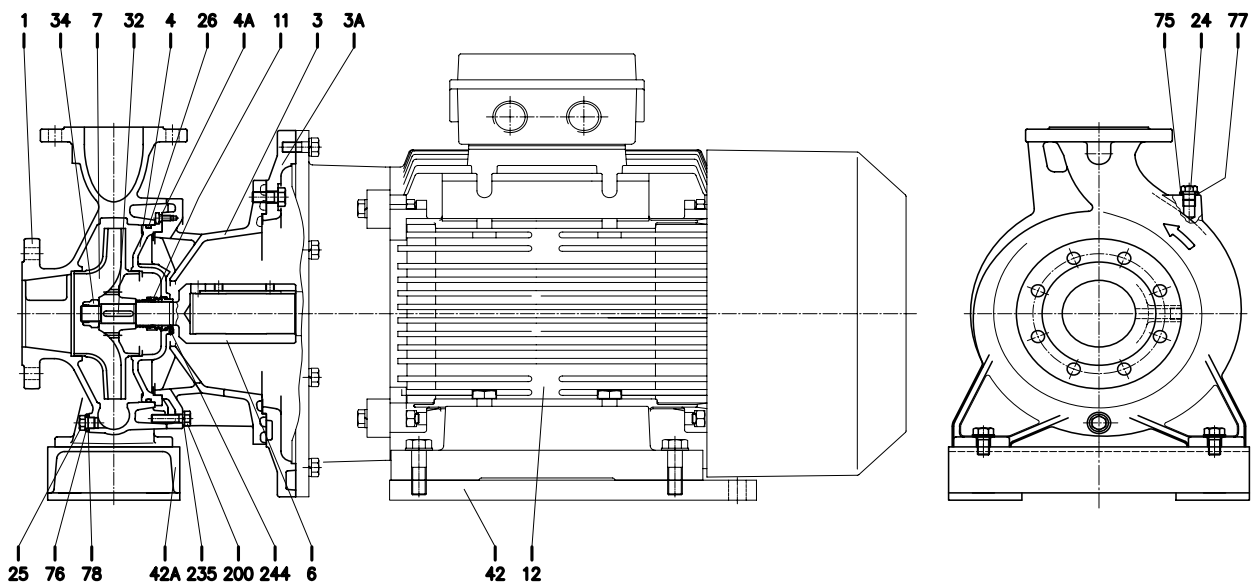
V09

N°	PART NAME		MATERIAL	DIMENSIONS	STANDARD	N. FOR 1 UNIT	
<b>3LS</b>							
001	Casing		EN 1.4401 (AISI 316)			1	
003	Motor bracket		Cast iron EN-GJL-200-EN 1561			1	
003A	Adapter ring		Cast iron EN-GJL-200-EN 1561			[1]	
004	Casing cover		EN 1.4401 (AISI 316)			1	
004A	Screw for casing cover		EN 1.4301(AISI 304)			2	
006	Coupling	65-250	d=24 mm	EN 1.4404 (AISI 316L) for 22 kW	See table p. 309	1	
			EN 1.4462 (Duplex stainless steel) for 30-37 kW	1			
		80-200	d=24 mm	EN 1.4404 (AISI 316L) for 22 kW		1	
			EN 1.4462 (Duplex stainless steel) for 30-37 kW	1			
80-250	d=29 mm	EN 1.4462 (Duplex stainless steel)	1				
007	Impeller		EN 1.4401 (AISI 316)			1	
011	Mechanical seal		SiC/SiC/FPM	See p. 307-308		1	
012	Motor		-			1	
024	Plug		EN 1.4404 (AISI 316L)	G3/8	EPE DRAWING	1	
025	Plug		EN 1.4404 (AISI 316L)	G3/8	EPE DRAWING	1	
026	"O" ring		FPM EPDM (E version)	253.36x5.34	OR 6995	1	
032	Key	65-250 80-200	d=24 mm	EN 1.4401 (AISI 316)	8x7x30	UNI 6604	
			80-250				d=29 mm
		65-250 80-200	d=24 mm				M20x1.5
034	impeller nut	85-250	d=29 mm	EN 1.4404 (AISI 316L)	M24x2	UNI 7474	
042	Foot for motor		Aluminium		EPE DRAWING	[2]	
042A	Foot for pump		Aluminium/zincked steel (only for 80-250/55)			[3]	
075	Washer (plug)		EN 1.4404 (AISI 316L)			1	
076	Washer (plug)					1	
077	O-ring (plug)			FPM			1
078	O-ring (plug)			EPDM (E version)			1
200	Screw		Stainless steel A2-70 class ISO 3506/1	M 12x45	UNI 5739	10	
235	Washer		EN 1.4301(AISI 304)	13	UNI 8842	10	
244	Pin		EN 1.4301(AISI 304)	4x12		1	

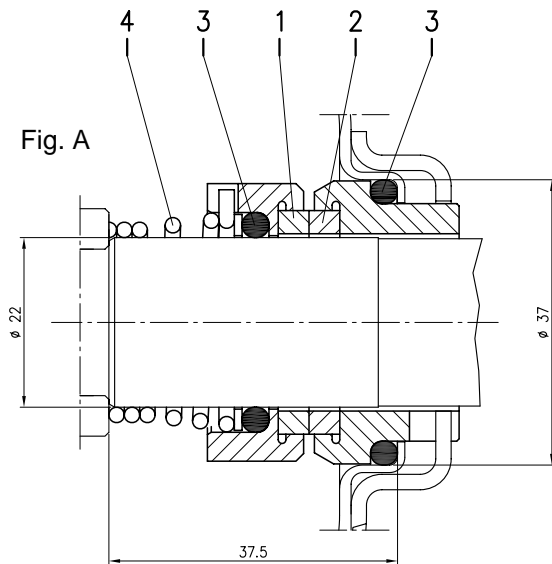
[1] Only for 65-250/37 , 80-200/37, 80-250/37 – 80-250/45 and 80-250/55

[2] N° for 1 unit=2 for 80-250/55

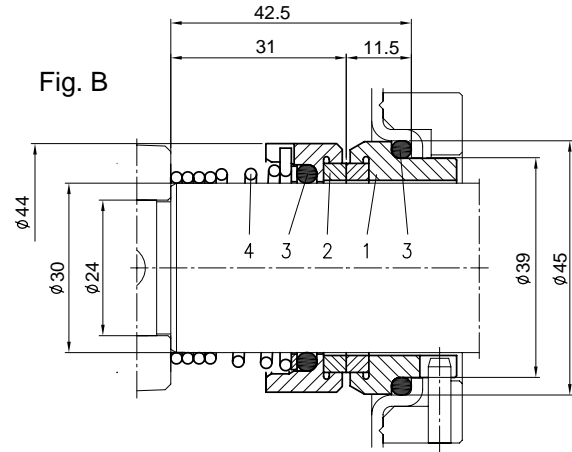
[3] N° for 1 unit=2 for 80-200/30 , 80-200/37 , 80-250/45 for 1 unit=1 for 80-250/55



MECHANICAL SEAL L VERSION Ø22



MECHANICAL SEAL L VERSION Ø30



MECHANICAL SEAL L VERSION Ø35

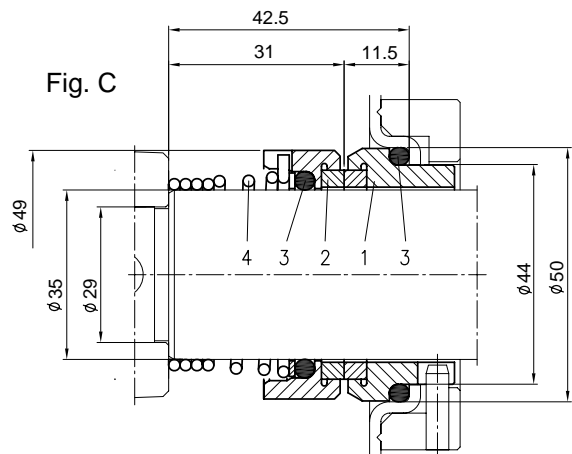
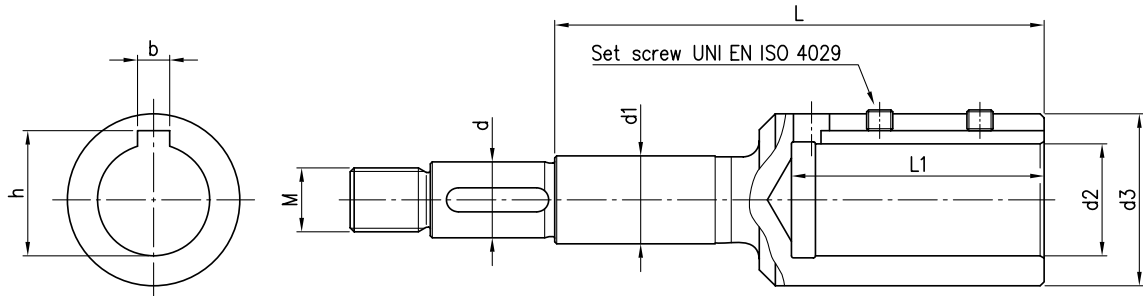


Fig.	Manufacturer Reference			Pump type	Material			
	Manuf.	Description	Material Description		1 Stationary seal ring	2 Rotary seal ring	3 rubber	4 Frame + spring
A	Burgmann	M377GN85/22-00-R	Q1Q1VGG	32-125/160/200	SiC	SiC	FPM	EN 1.4571 (AISI 316Ti)
B				40-125/160/200				
C				50-125/160/200				
		M377GN85-R		65-125				
				65-160/7.5				
				65-160/9.2				
				65-160/11				
				65-160/15				
				65-200				
				65-250				
				80-160/200				
				80-250				

COUPLING



Type pumps	kW	HP	Motor Size	Dimensions mm										Set screw
				d	d1	d2	d3	M	L	L1	b	h		
32-125/1.1	1.1	1.5	80	19	22	19	33	M16x1.5	98	43	6	21.8	M6x6	
32-160/1.5	1.5	2	90	19	22	24	39	M16x1.5	110	53	8	27.3	M8x8	
32-160/2.2	2.2	3	90	19	22	24	39	M16x1.5	110	53	8	27.3	M8x8	
32-200/3.0	3	4	100	19	22	28	43	M16x1.5	122	63	8	31.3	M8x8	
32-200/4.0	4	5.5	112	19	22	28	43	M16x1.5	122	63	8	31.3	M8x8	
32-200/5.5	5.5	7.5	132	19	22	38	58	M16x1.5	145	84	10	41.3	M8x8	
32-200/7.5	7.5	10	132	19	22	38	58	M16x1.5	145	84	10	41.3	M8x8	
40-125/1.5	1.5	2	90	19	22	24	39	M16x1.5	110	53	8	27.3	M8x8	
40-125/2.2	2.2	3	90	19	22	24	39	M16x1.5	110	53	8	27.3	M8x8	
40-160/3.0	3	4	100	19	22	28	43	M16x1.5	122	63	8	31.3	M8x8	
40-160/4.0	4	5.5	112	19	22	28	43	M16x1.5	122	63	8	31.3	M8x8	
40-200/5.5	5.5	7.5	132	19	22	38	58	M16x1.5	145	84	10	41.3	M8x8	
40-200/7.5	7.5	10	132	19	22	38	58	M16x1.5	145	84	10	41.3	M8x8	
40-200/11	11	15	160	19	22	42	63	M16x1.5	178	114	12	45.3	M8x8	
50-125/2.2	2.2	3	90	19	22	24	39	M16x1.5	110	53	8	27.3	M8x8	
50-125/3.0	3	4	100	19	22	28	43	M16x1.5	122	63	8	31.3	M8x8	
50-125/4.0	4	5.5	112	19	22	28	43	M16x1.5	122	63	8	31.3	M8x8	
50-160/5.5	5.5	7.5	132	19	22	38	58	M16x1.5	145	84	10	41.3	M8x8	
50-160/7.5	7.5	10	132	19	22	38	58	M16x1.5	145	84	10	41.3	M8x8	
50-200/9.2	9.2	12.5	132	19	22	38	58	M16x1.5	145	84	10	41.3	M8x8	
50-200/11	11	15	160	19	22	42	63	M16x1.5	178	114	12	45.3	M8x8	
50-200/15	15	20	160	22	22	42	63	M18x1.5	209	114	12	45.3	M8x8	
65-125/4.0	4	5.5	112	19	22	28	43	M16x1.5	122	63	8	31.3	M8x8	
65-125/5.5	5.5	7.5	132	19	22	38	58	M16x1.5	145	84	10	41.3	M8x8	
65-125/7.5	7.5	10	132	19	22	38	58	M16x1.5	145	84	10	41.3	M8x8	
65-160/9.2	9.2	12.5	132	19	22	38	58	M16x1.5	145	84	10	41.3	M8x8	
65-160/11	11	15	160	19	22	42	63	M16x1.5	178	114	12	45.3	M8x8	
65-160/15	15	20	160	24	30	42	63	M20x1.5	184	114	12	45.3	M8x8	
65-200/15	15	20	160	24	30	42	63	M20x1.5	184	114	12	45.3	M8x8	
65-200/18.5	18.5	25	160	24	30	42	63	M20x1.5	184	114	12	45.3	M8x8	
65-200/22	22	30	180	24	30	48	72	M20x1.5	184	114	14	51.8	M10x10	
65-250/30	30	40	200	24	30	55	85	M20x1.5	184	114	16	59.3	M12x12	
65-250/37	37	50	200	24	30	55	85	M20x1.5	184	114	16	59.3	M12x12	
80-160/11	11	15	160	24	30	42	63	M20x1.5	184	114	12	45.3	M8x8	
80-160/15	15	20	160	24	30	42	63	M20x1.5	184	114	12	45.3	M8x8	
80-160/18.5	18.5	25	160	24	30	42	63	M20x1.5	184	114	12	45.3	M8x8	
80-200/22	22	30	180	24	30	48	72	M20x1.5	184	114	14	51.8	M10x10	
80-200/30	30	40	200	24	30	55	85	M20x1.5	184	114	16	59.3	M12x12	
80-200/37	37	50	200	24	30	55	85	M20x1.5	184	114	16	59.3	M12x12	
80-250/45	45	60	225	29	35	55	85	M24x2	206	114	16	59.3	M12x12	
80-250/55	55	75	250	29	35	60	89	M24x2	218	144	18	64.4	M12x12	

DIMENSION INDEX

2 POLE 50 Hz

V09

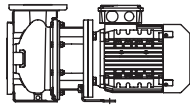


Fig 1

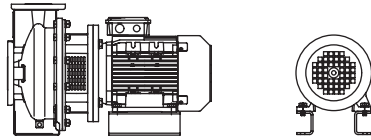


Fig 2

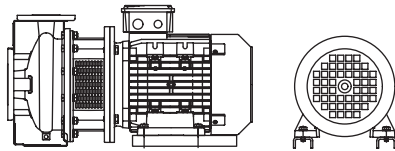


Fig 3

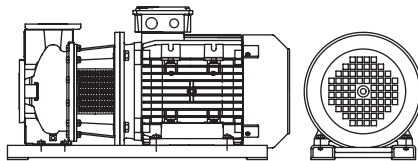


Fig 4

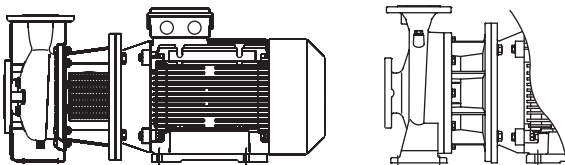


Fig 5A

Fig 5B

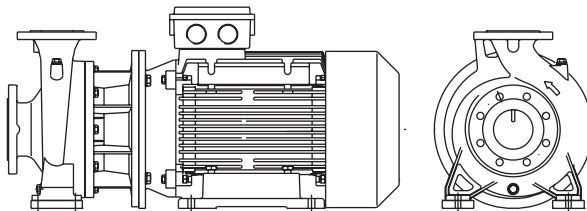


Fig 6

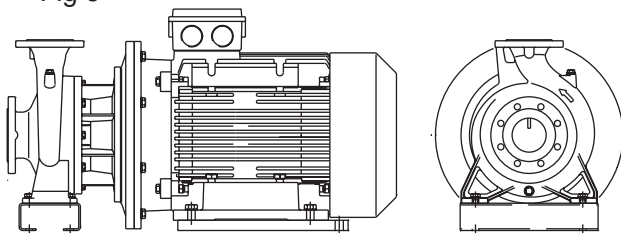


Fig 7

	Pump Model	Frame	Mount	Type	Page
32 mm	3LS 32-125/1.1	80	B5	Fig 1	401
	3LS 32-160/1.5	90	B5	Fig 1	401
	3LS 32-160/2.2	90	B5	Fig 1	401
	3LS 32-200/3.0	100	B35	Fig 2	402
	3LS 32-200/4.0	112	B35	Fig 2	402
	3LS 32-200/5.5	132	B35	Fig 3	403
	3LS 32-200/7.5	132	B35	Fig 3	403
40 mm	3LS 40-125/1.5	90	B5	Fig 1	401
	3LS 40-125/2.2	90	B5	Fig 1	401
	3LS 40-160/3.0	100	B35	Fig 3	403
	3LS 40-160/4.0	112	B35	Fig 3	403
	3LS 40-200/5.5	132	B35	Fig 3	403
	3LS 40-200/7.5	132	B35	Fig 3	403
	3LS 40-200/11.0	160	B35	Fig 4	404
50 mm	3LS 50-125/2.2	90	B5	Fig 1	401
	3LS 50-125/3.0	100	B35	Fig 3	403
	3LS 50-125/4.0	112	B35	Fig 3	403
	3LS 50-160/5.5	132	B35	Fig 3	403
	3LS 50-160/7.5	132	B35	Fig 3	403
	3LS 50-200/9.2	132	B35	Fig 3	403
	3LS 50-200/11.0	160	B35	Fig 4	404
3LS 50-200/15.0	160	B35	Fig 4	404	
65 mm	3LS 65-125/4.0	112	B35	Fig 2	402
	3LS 65-125/5.5	132	B35	Fig 3	403
	3LS 65-125/7.5	132	B35	Fig 3	403
	3LS 65-160/9.2	132	B35	Fig 3	403
	3LS 65-160/11.0	160	B35	Fig 4	404
	3LS 65-160/15.0	160	B35	Fig 4	404
	3LS 65-200/15.0	160	B35	Fig 3	403
	3LS 65-200/18.5	160	B35	Fig 3	403
	3LS 65-200/22	180	B35	Fig 5A	403
3LS 65-250/30	200	B35	Fig 5B	406	
3LS 65-250/37	200	B35	Fig 5B	406	
80 mm	3LS 80-160/11	160	B35	Fig 3	405
	3LS 80-160/15	160	B35	Fig 3	405
	3LS 80-160/18.5	160	B35	Fig 3	405
	3LS 80-200/22	180	B35	Fig 5B	406
	3LS 80-200/30	200	B35	Fig 6	407
	3LS 80-200/37	200	B35	Fig 6	407
	3LS 80-250/45	225	B35	Fig 6	407
	3LS 80-250/55	250	B35	Fig 7	408

Motor requirements

B3 = Flange Mount

B35 = Foot & Flange Mount

Note: The support feet used varies, and therefore so do the dimensional drawings.  
Use above table to find relevant drawing.

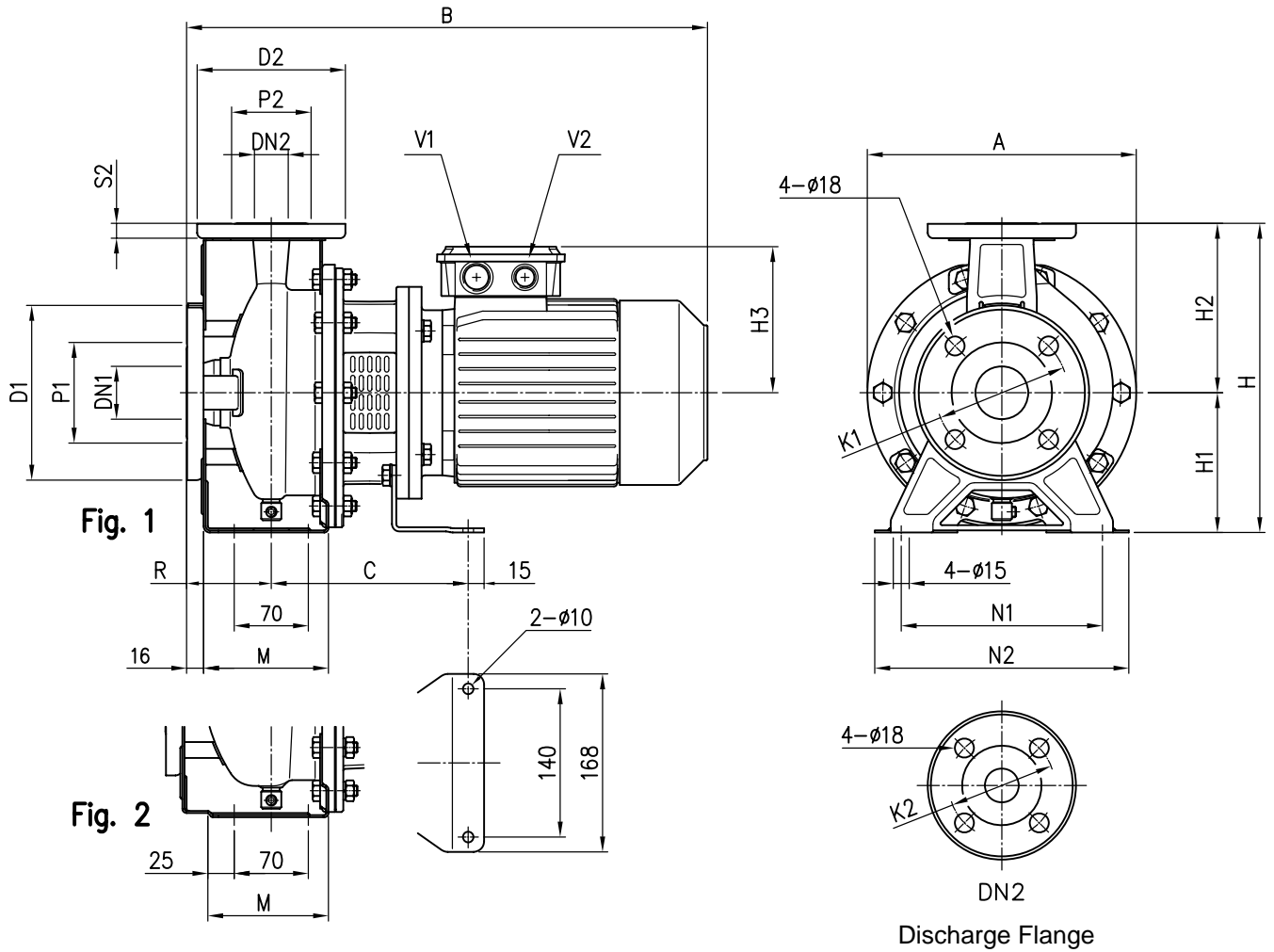


DIMENSIONS 3LS 32, 40, 50

(Fig 1)

2 POLE 50 Hz

V09



Note : Weight and some Motor dimensions may vary depending on motor fitted

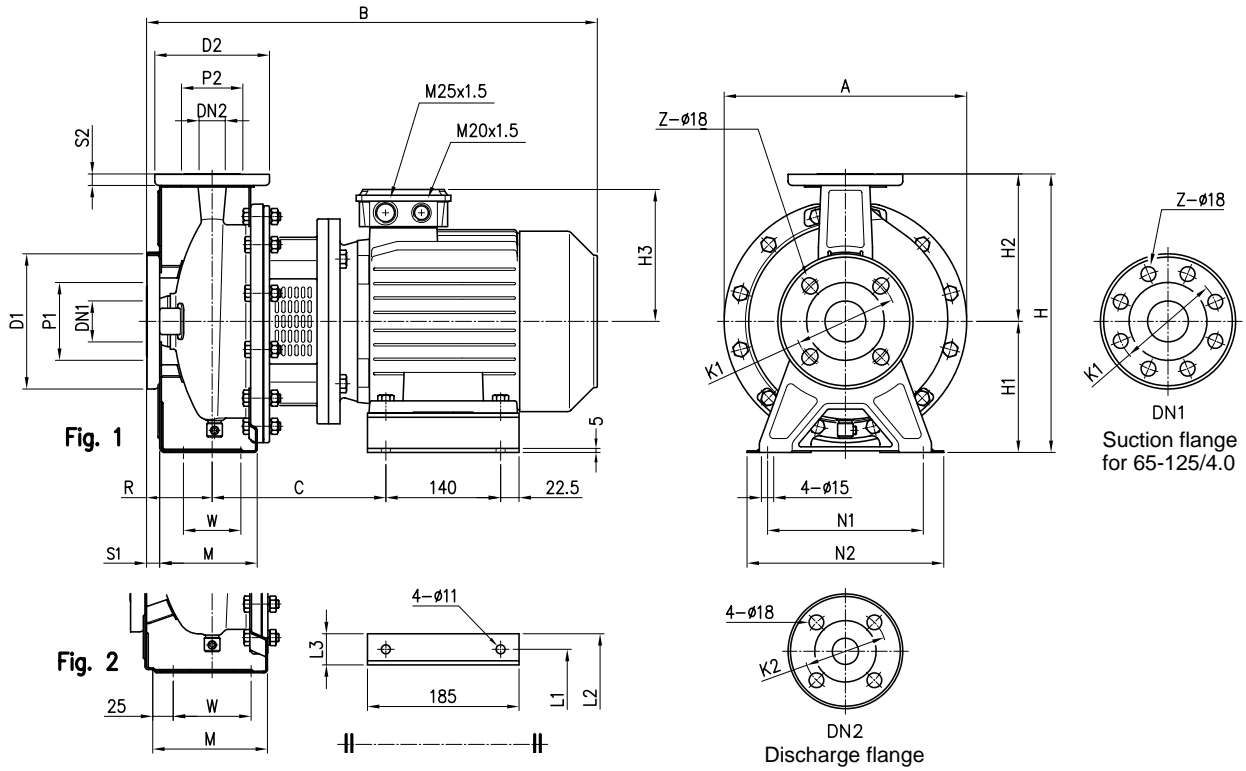
Model	Dimensions [mm]																				Weight [kgf]			
	∅ DN1	∅ P1	∅ K1	∅ D1	∅ DN2	∅ P2	∅ K2	∅ D2	S2	Fig.	H	H1	H2	H3	R	M	N1	N2	A	B		C	V1	V2
32-125/1.1	50	95	125	165	32	75	100	140	14	1	252	112	140	129	80	114	140	190	213	430	174	M25x1.5	M20x1.5	23.1
32-160/1.5	50	95	125	165	32	75	100	140	14	1	292	132	160	138	80	118	190	240	254	477	186	M25x1.5	M20x1.5	28.5
32-160/2.2	50	95	125	165	32	75	100	140	14	1	292	132	160	138	80	118	190	240	254	477	186	M25x1.5	M20x1.5	32.4
40-125/1.5	65	115	145	185	40	80	110	150	14	1	252	112	140	138	80	114	160	210	213	477	186	M25x1.5	M20x1.5	26.5
40-125/2.2	65	115	145	185	40	80	110	150	14	1	252	112	140	138	80	114	160	210	213	477	186	M25x1.5	M20x1.5	29.6
50-125/2.2	65	115	145	185	50	95	125	165	16	2	292	132	160	138	100	114	190	240	254	497	186	M25x1.5	M20x1.5	32.9

DIMENSIONS 3LS 32, 65

(Fig 2)

2 POLE 50 Hz

V09



Note : Weight and some Motor dimensions may vary depending on motor fitted

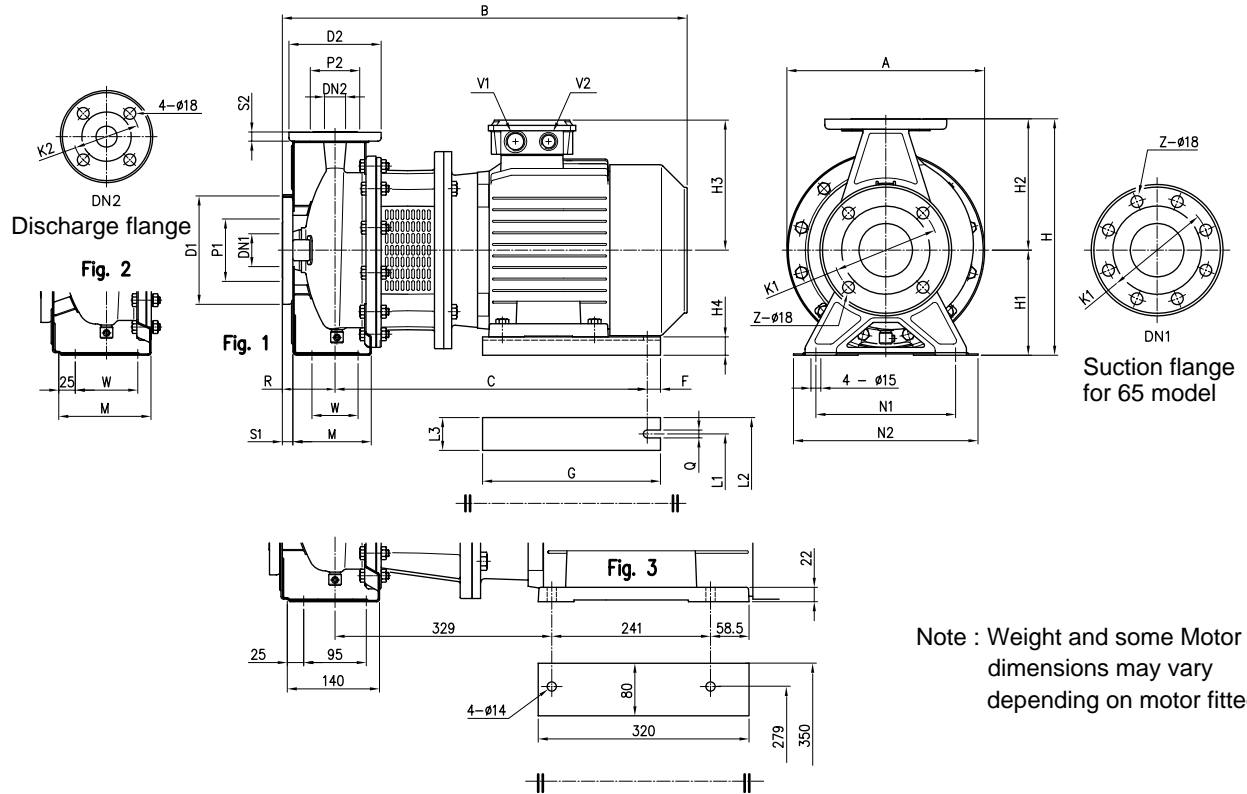
Model	Dimensions [mm]																							Weight [kgf]
	∅ DN1	∅ P1	∅ K1	∅ D1	S1	Z	∅ P2	∅ K2	∅ D2	S2	Fig.	H	H1	H2	H3	R	W	M	N1	A	B	C		
32-200/3.0	50	95	125	165	16	4	75	100	140	14	1	340	160	180	145	80	70	119	190	240	296	528	205	43.4
32-200/4.0	50	95	125	165	16	4	75	100	140	14	1	340	160	180	161	80	70	119	190	240	296	550	212	45.9
65-125/4.0	80	134	160	200	18	8	115	145	185	16	2	340	160	180	161	100	95	140	212	280	254	570	212	47

DIMENSIONS 3LS 32, 40, 50, 65

(Fig 3)

2 POLE 50 Hz

V09



Note : Weight and some Motor dimensions may vary depending on motor fitted

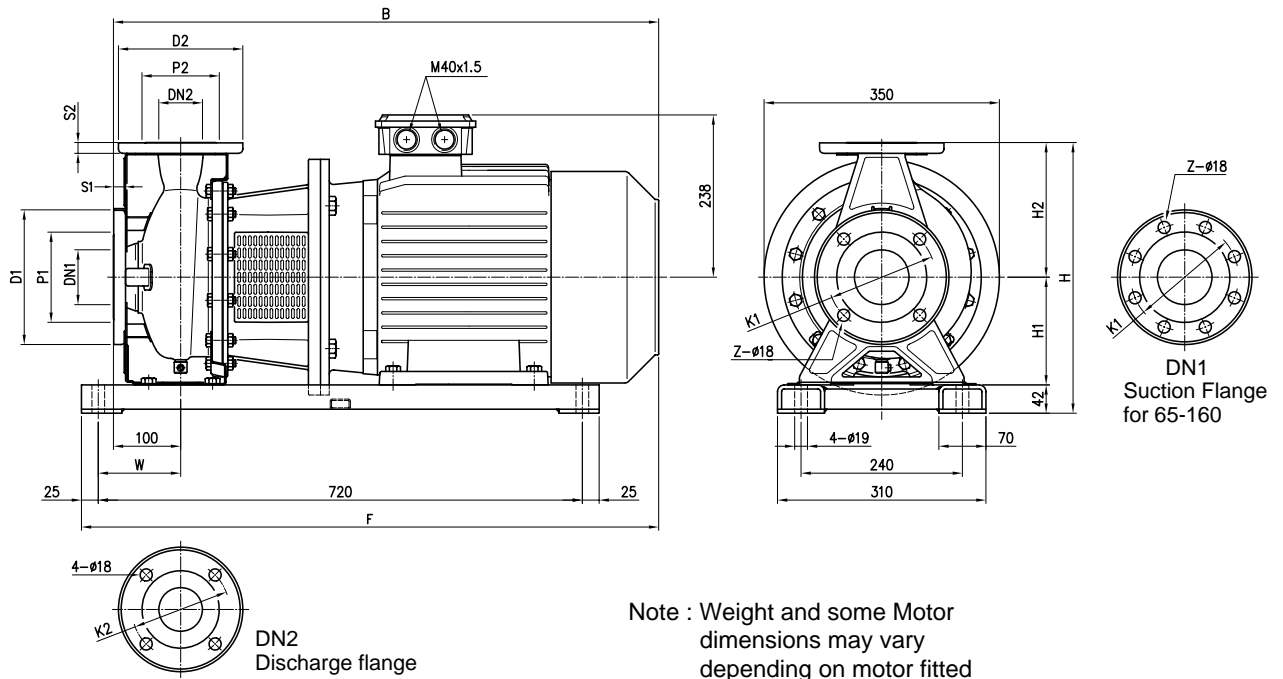
Model	Dimensions [mm]																Weight [kgf]				
	DN1	P1	K1	D1	S1	Z	DN2	P2	K2	D2	S2	Fig.	H	H1	H2	H3		H4	R	W	M
32-200/5.5	50	95	125	165	16	4	32	75	100	140	14	1	340	160	180	195	28	80	70	119	
32-200/7.5	50	95	125	165	16	4	32	75	100	140	14	1	340	160	180	195	28	80	70	119	
40-160/3.0	65	115	145	185	16	4	40	80	110	150	14	1	292	132	160	145	32	80	70	118	
40-160/4.0	65	115	145	185	16	4	40	80	110	150	14	1	292	132	160	161	20	80	70	118	
40-200/5.5	65	115	145	185	16	4	40	80	110	150	14	2	340	160	180	195	28	100	70	115	
40-200/7.5	65	115	145	185	16	4	40	80	110	150	14	2	340	160	180	195	28	100	70	115	
50-125/3.0	65	115	145	185	16	4	50	95	125	165	16	2	292	132	160	145	32	100	70	114	
50-125/4.0	65	115	145	185	16	4	50	95	125	165	16	2	292	132	160	161	20	100	70	114	
50-160/5.5	65	115	145	185	16	4	50	95	125	165	16	2	340	160	180	195	28	100	70	115	
50-160/7.5	65	115	145	185	16	4	50	95	125	165	16	2	340	160	180	195	28	100	70	115	
50-200/9.2	65	115	145	185	16	4	50	95	125	165	16	2	360	160	200	195	28	100	70	115	
65-125/5.5	80	134	160	200	18	8	65	115	145	185	16	2	340	160	180	195	28	100	95	140	
65-125/7.5	80	134	160	200	18	8	65	115	145	185	16	2	340	160	180	195	28	100	95	140	
65-160/9.2	80	134	160	200	18	8	65	115	145	185	16	2	360	160	200	195	28	100	95	140	
65-200/15	80	134	160	200	18	8	65	115	145	185	16	2	405	180	225	238	20	100	95	140	
65-200/18.5	80	134	160	200	18	8	65	115	145	185	16	2	405	180	225	238	20	100	95	140	
65-200/22	80	134	160	200	18	8	65	115	145	185	16	3	405	180	225	245	-	100	-	-	
	N1	N2	A	B	C	F	G	Q	L1	L2	L3	V1	V2								
32-200/5.5	190	240	300	607	479	15	270	12	216	266	50	M32x1.5	M32x1.5	62.8							
32-200/7.5	190	240	300	607	479	15	270	12	216	266	50	M32x1.5	M32x1.5	74.6							
40-160/3.0	190	240	254	528	388	15	220	12	160	200	40	M25x1.5	M20x1.5	39							
40-160/4.0	190	240	254	550	395	15	220	12	190	240	50	M25x1.5	M20x1.5	41.5							
40-200/5.5	212	265	300	627	479	15	270	12	216	266	50	M32x1.5	M32x1.5	63.2							
40-200/7.5	212	265	300	627	479	15	270	12	216	266	50	M32x1.5	M32x1.5	69.6							
50-125/3.0	190	240	254	548	388	15	220	12	160	200	40	M25x1.5	M20x1.5	42							
50-125/4.0	190	240	254	570	395	15	220	12	190	240	50	M25x1.5	M20x1.5	42.5							
50-160/5.5	212	265	300	627	479	15	270	12	216	266	50	M32x1.5	M32x1.5	63.8							
50-160/7.5	212	265	300	627	479	15	270	12	216	266	50	M32x1.5	M32x1.5	69.6							
50-200/9.2	212	265	300	667	479	15	270	12	216	266	50	M32x1.5	M32x1.5	79.7							
65-125/5.5	212	280	300	627	479	15	270	12	216	266	50	M32x1.5	M32x1.5	60							
65-125/7.5	212	280	300	627	479	15	270	12	216	266	50	M32x1.5	M32x1.5	67							
65-160/9.2	212	280	300	667	479	15	270	12	216	266	50	M32x1.5	M32x1.5	77							
65-200/15	250	320	350	808	621	20	350	14	254	314	60	M40x1.5	M40x1.5	128							
65-200/18.5	250	320	350	852	621	20	350	14	254	314	60	M40x1.5	M40x1.5	141							
65-200/22	250	320	350	888	-	-	-	-	-	-	-	M40x1.5	M40x1.5	160							

DIMENSIONS 3LS 40, 50, 65

(Fig 4)

2 POLE 50 Hz

V09



Note : Weight and some Motor dimensions may vary depending on motor fitted

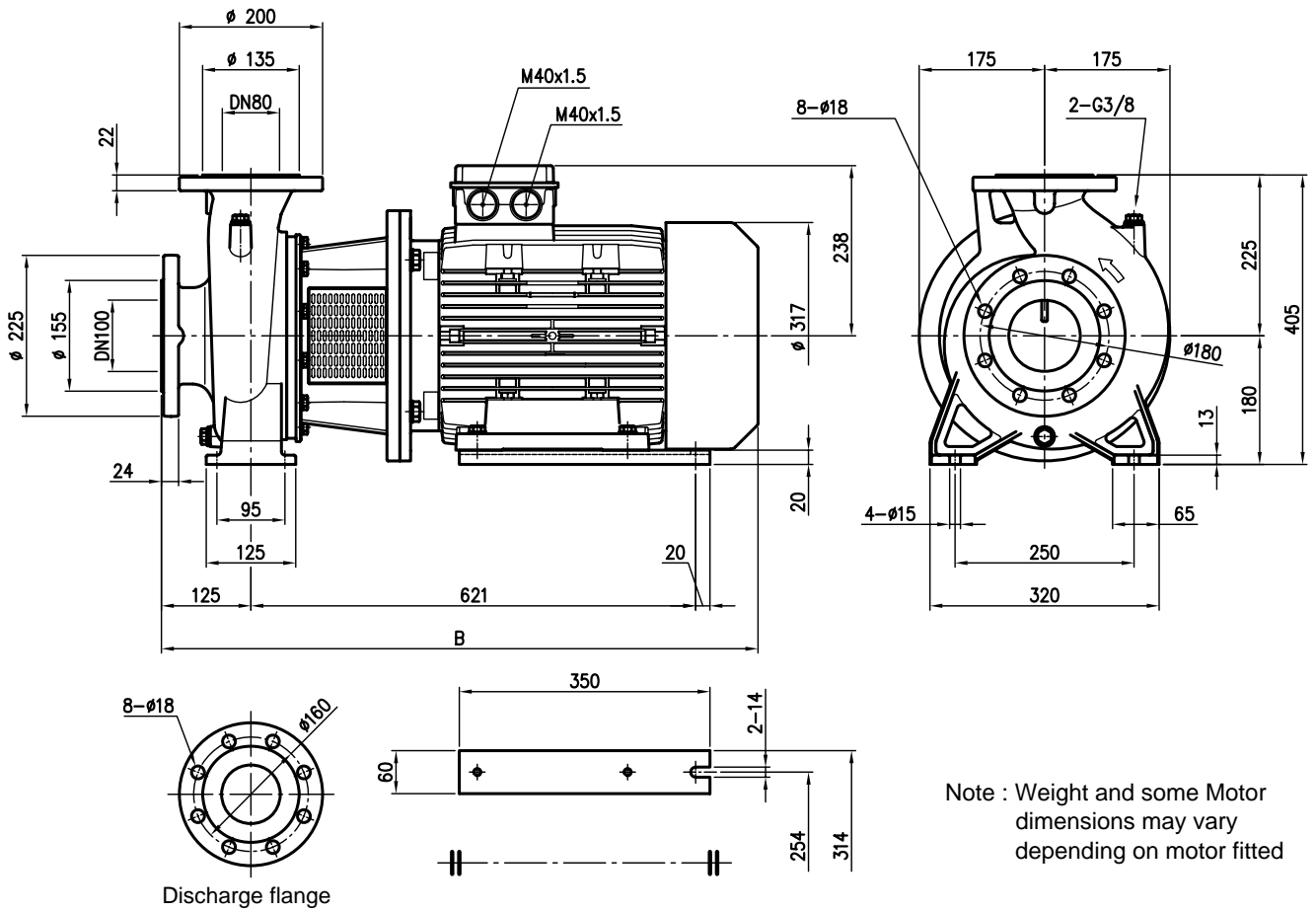
Model	Dimensions [mm]																Weight [kgf]
	Ø DN1	Ø P1	Ø K1	Ø D1	S1	Z	DN2	Ø P2	Ø D2	Ø S2	H	H1	H2	W	B	F	
40-200/11	65	115	145	185	16	4	40	80	150	14	382	160	180	110	798	833	107
50-200/11	65	115	145	185	16	4	50	95	165	16	402	160	200	110	798	833	107
50-200/15	65	115	145	185	16	4	50	95	165	16	402	160	200	110	798	833	131
65-160/11	80	134	160	200	18	8	65	115	185	16	402	160	200	122.5	798	846	76
65-160/15	80	134	160	200	18	8	65	115	185	16	402	160	200	122.5	808	856	104

DIMENSIONS 3LS 80-160

(Fig 3)

2 POLE 50 Hz

V09



Note : Weight and some Motor dimensions may vary depending on motor fitted

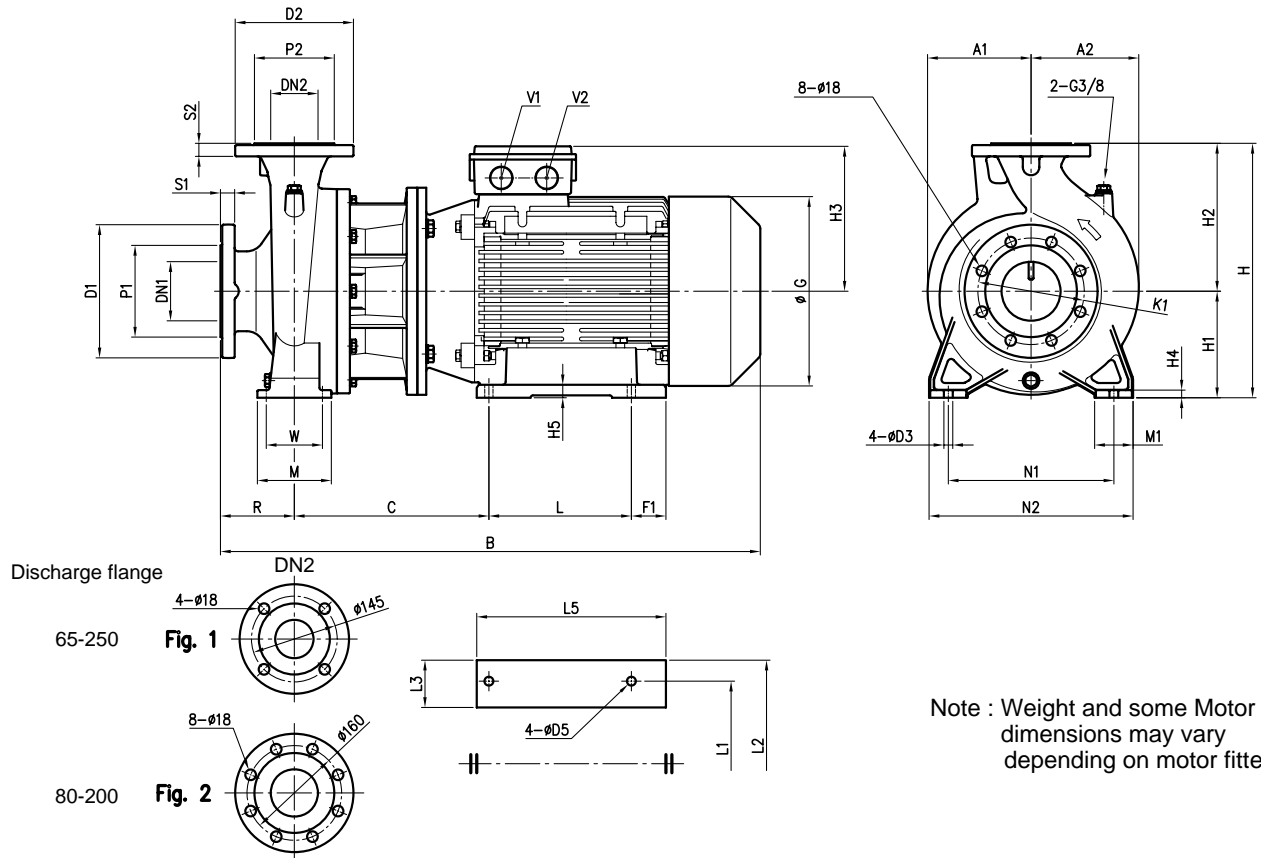
Pump type	B	Weight [kgf]
80-160/11	833	135
80-160/15	833	147
80-160/18.5	877	155

DIMENSIONS 3LS 65-250, 80

(Fig 5)

2 POLE 50 Hz

V09



Note : Weight and some Motor dimensions may vary depending on motor fitted

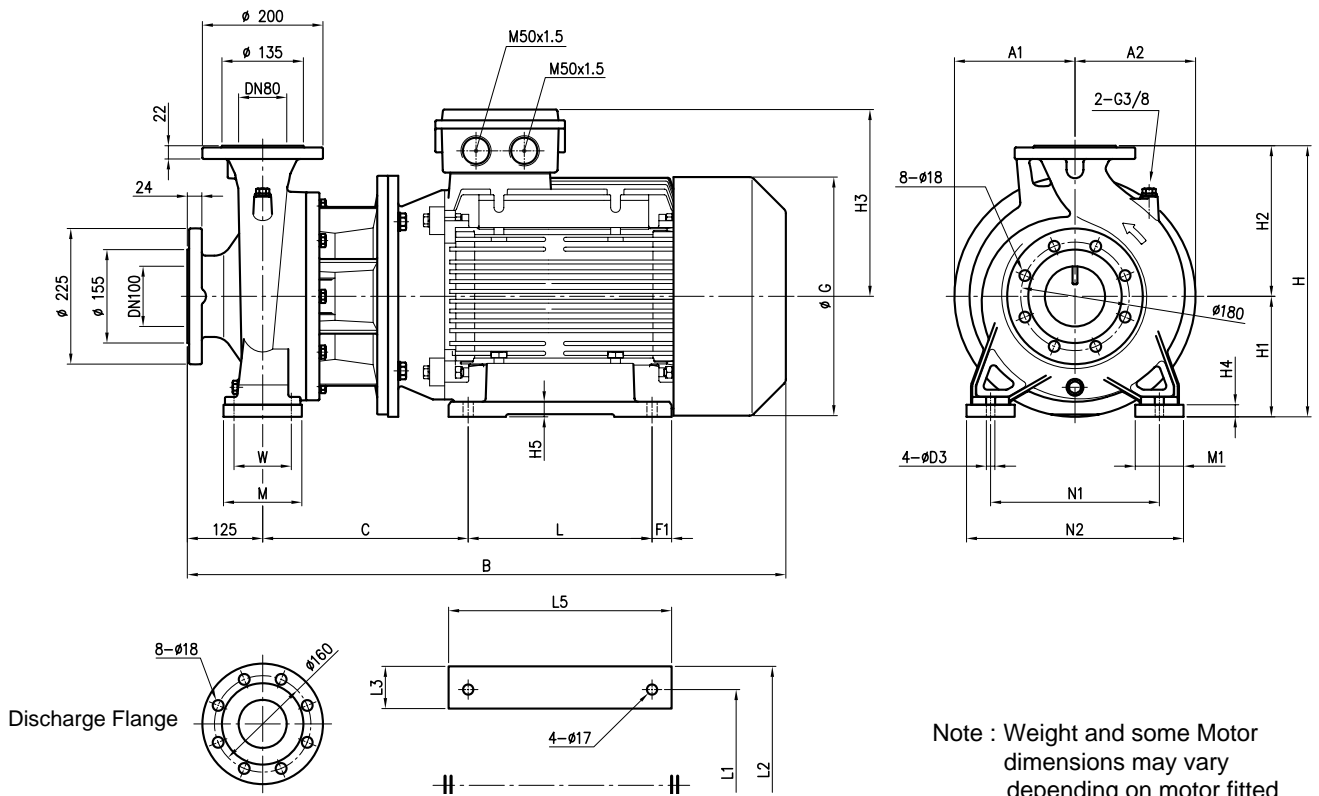
Pump type	Dimensions [mm]																	V1	V2	Weight
	DN1	P1	K1	D1	S1	DN2	P2	D2	S2	H	H1	H2	H3	H4	H5	R	W			
65-250/30	80	135	160	200	22	65 Fig. 1	120	185	20	450	200	250	310	15	25	100	120			
65-250/37	80	135	160	200	22	65 Fig. 1	120	185	20	450	200	250	310	15	25	100	120			
80-200/22	100	155	180	225	24	80 Fig. 2	135	200	22	430	180	250	245	13	22	125	95			
	N1	N2	M	M1	L	L1	L2	L3	L5	A1	A2	B	C	F1	G	D3	D5	V1	V2	Weight
65-250/30	280	360	160	80	305	318	395	70	370	200	200	968	341	32.5	396	19	17	M50x1.5	M50x1.5	303
65-250/37	280	360	160	80	305	318	395	70	370	200	200	968	341	32.5	396	19	17	M50x1.5	M50x1.5	320
80-200/22	280	345	125	65	241	279	350	80	320	175	182	913	329	58.5	320	15	14	M40x1.5	M40x1.5	200

DIMENSIONS 3LS 80

(Fig 6)

2 POLE 50 Hz

V09



Note : Weight and some Motor dimensions may vary depending on motor fitted

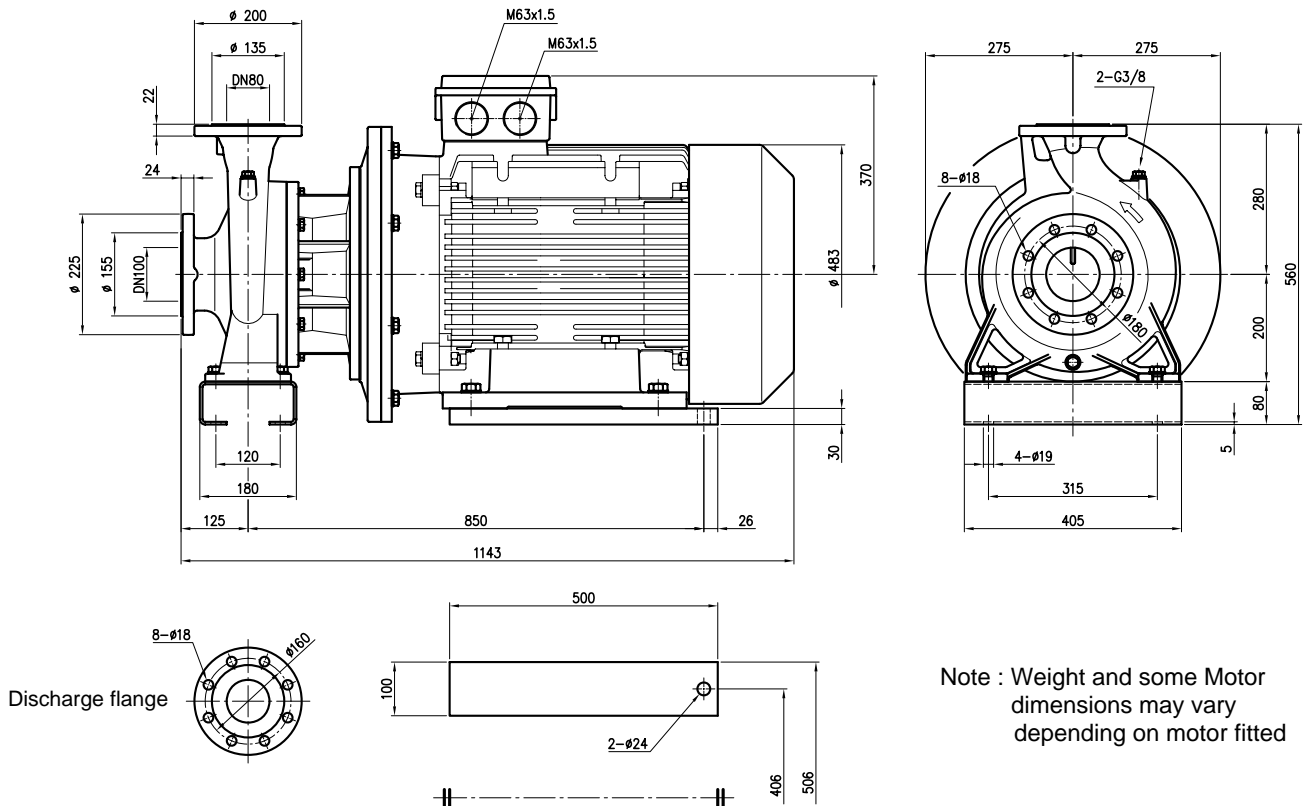
Pump type	Dimensions [mm]																						Weight [kgf]	
	H	H1	H2	H3	H4	H5	W	N1	N2	M	M1	L	L1	L2	L3	L5	A1	A2	B	C	F1	G		D3
80-200/30	450	200	250	310	20	25	95	280	360	130	80	305	318	395	70	370	200	200	993	341	32.5	396	14	306
80-200/37	450	200	250	310	20	25	95	280	360	130	80	305	318	395	70	370	200	200	993	341	32.5	396	14	325
80-250/45	505	225	280	335	25	28	120	315	415	165	100	311	356	435	75	393	225	225	1051	385	41	435	18	401

DIMENSIONS 3LS 80

(Fig 7)

2 POLE 50 Hz

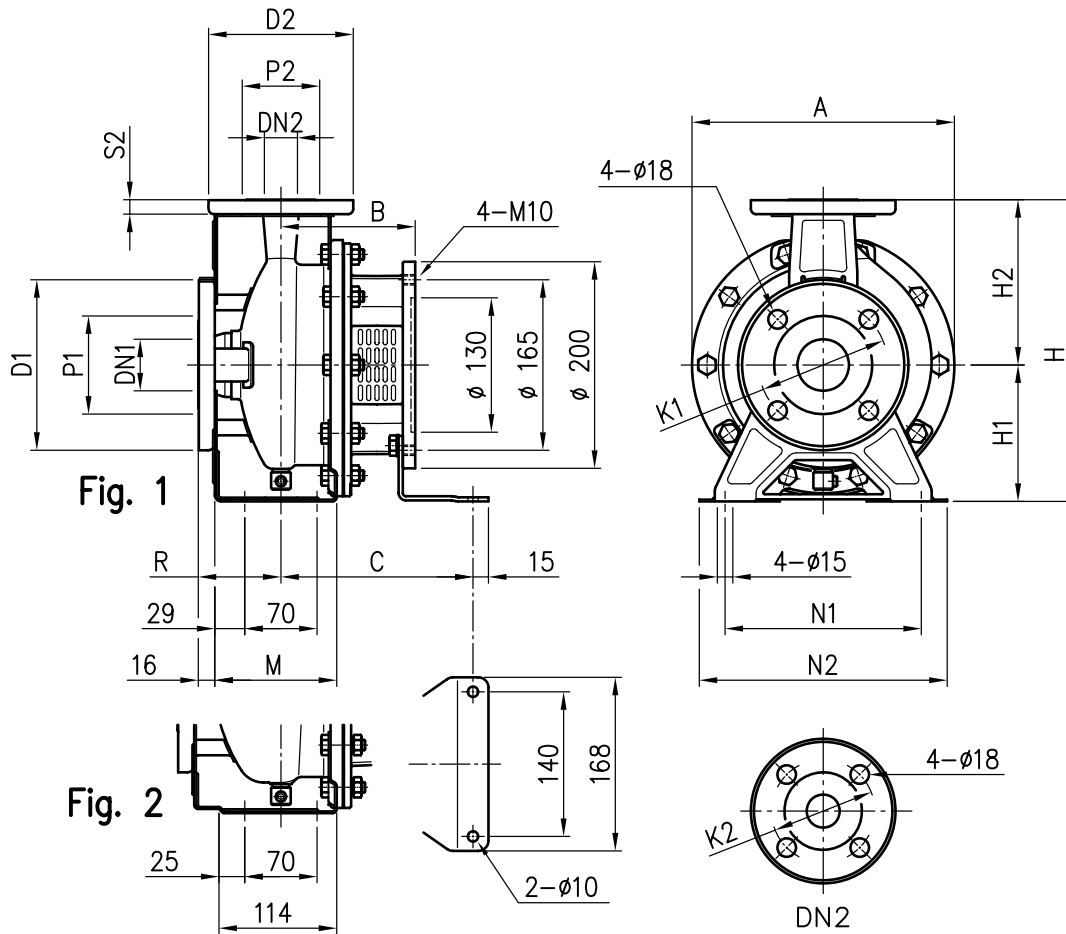
V09



Note : Weight and some Motor dimensions may vary depending on motor fitted

3 LS 80-250/55  
Pump weight: 489 kgf

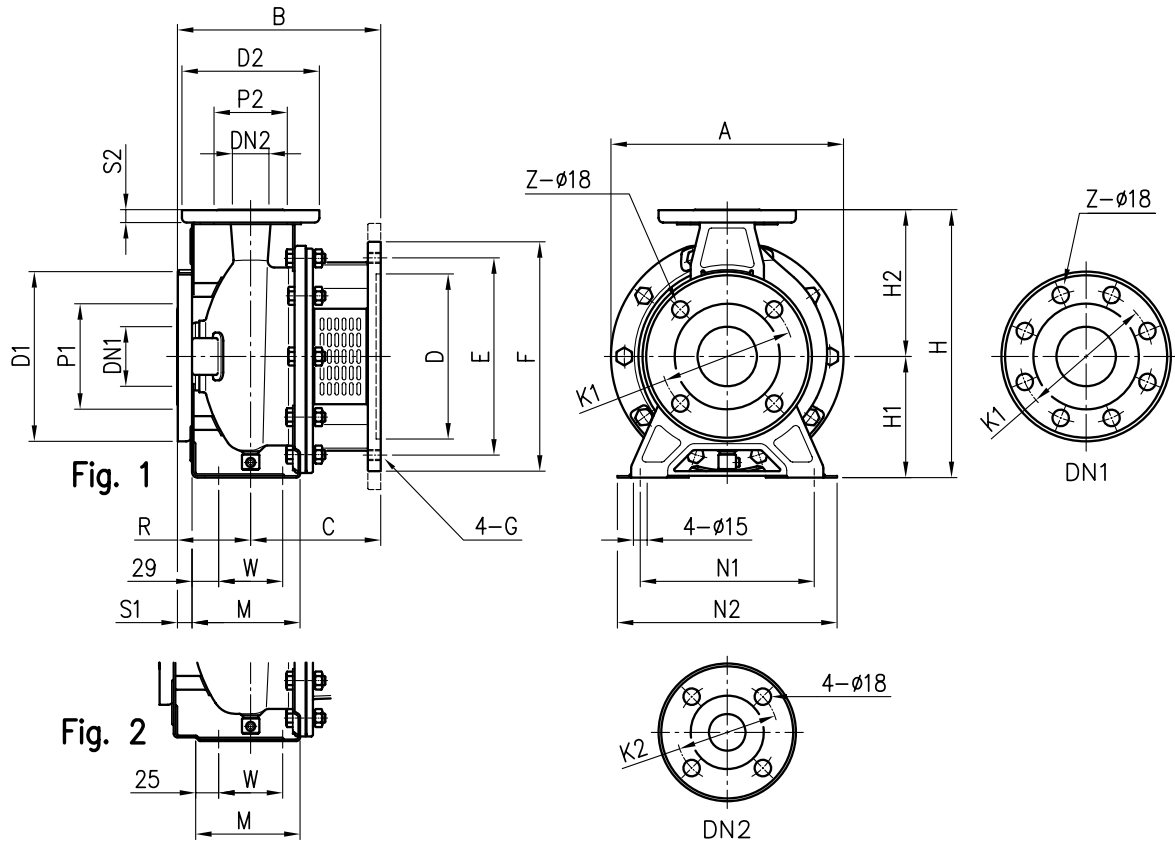




Pump type	Fig.	Dimensions [mm]																			Weight [kgf]
		DN1	P1	K1	D1	DN2	P2	K2	D2	S2	H	H1	H2	M	N1	N2	R	A	B	C	
32-125/1.1	1	50	95	125	165	32	75	100	140	14	252	112	140	114	140	190	80	213	118	174	13.1
32-160/1.5	1	50	95	125	165	32	75	100	140	14	292	132	160	118	190	240	80	254	130	186	17
32-160/2.2	1	50	95	125	165	32	75	100	140	14	292	132	160	118	190	240	80	254	130	186	17
40-125/1.5	1	65	115	145	185	40	80	110	150	14	252	112	140	114	160	210	80	213	130	186	14.4
40-125/2.2	1	65	115	145	185	40	80	110	150	14	252	112	140	114	160	210	80	213	130	186	14.5
50-125/2.2	2	65	115	145	185	50	95	125	165	16	292	132	160	-	190	240	100	254	130	186	20

DIMENSIONS 3LSF 32,40,50,65 - PUMP END KIT 2 POLE 50 Hz

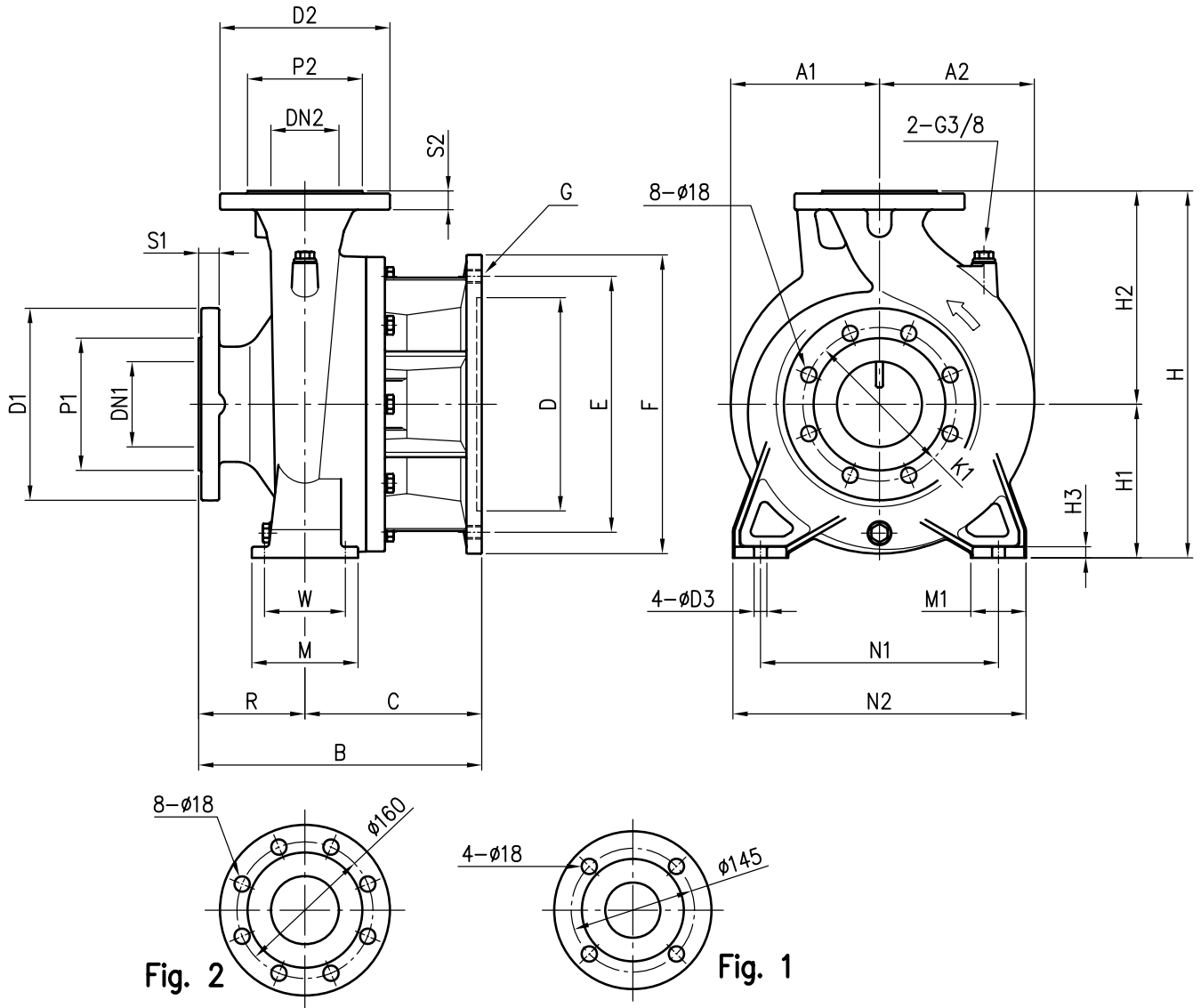
V09



Pump type	Fig.	Dimensions [mm]																							Weight [kgf]			
		DN1	P1	K1	D1	S1	Z	DN2	P2	K2	D2	S2	H	H1	H2	M	N1	N2	R	W	A	B	C	D		E	F	G
32-200/3	1	50	95	125	165	16	4	32	75	100	140	14	340	160	180	119	190	240	80	70	296	222	142	180	215	250	M12	24
32-200/4	1	50	95	125	165	16	4	32	75	100	140	14	340	160	180	119	190	240	80	70	296	222	142	180	215	250	M12	24
32-200/5.5	1	50	95	125	165	16	4	32	75	100	140	14	340	160	180	119	190	240	80	70	296	245	165	230	265	300	M12	28
32-200/7.5	1	50	95	125	165	16	4	32	75	100	140	14	340	160	180	119	190	240	80	70	296	245	165	230	265	300	M12	28
40-160/3	1	65	115	145	185	16	4	40	80	110	150	14	292	132	160	118	190	240	80	70	254	222	142	180	215	250	M12	19.5
40-160/4	1	65	115	145	185	16	4	40	80	110	150	14	292	132	160	118	190	240	80	70	254	222	142	180	215	250	M12	20
40-200/5.5	2	65	115	145	185	16	4	40	80	110	150	14	340	160	180	115	212	265	100	70	296	265	165	230	265	300	M12	28
40-200/7.5	2	65	115	145	185	16	4	40	80	110	150	14	340	160	180	115	212	265	100	70	296	265	165	230	265	300	M12	28
40-200/11	2	65	115	145	185	16	4	40	80	110	150	14	340	160	180	115	212	265	100	70	296	298	198	250	300	350	M16	41.5
50-125/3	2	65	115	145	185	16	4	50	95	125	165	16	292	132	160	114	190	240	100	70	254	242	142	180	215	250	M12	20
50-125/4	2	65	115	145	185	16	4	50	95	125	165	16	292	132	160	114	190	240	100	70	254	242	142	180	215	250	M12	20
50-160/5.5	2	65	115	145	185	16	4	50	95	125	165	16	340	160	180	115	212	265	100	70	296	265	165	230	265	300	M12	28.5
50-160/7.5	2	65	115	145	185	16	4	50	95	125	165	16	340	160	180	115	212	265	100	70	296	265	165	230	265	300	M12	28.5
50-200/9.2	2	65	115	145	185	16	4	50	95	125	165	16	360	160	200	115	212	265	100	70	296	265	165	230	265	300	M12	29
50-200/11	2	65	115	145	185	16	4	50	95	125	165	16	360	160	200	115	212	265	100	70	296	298	198	250	300	350	M16	41.5
50-200/15	2	65	115	145	185	16	4	50	95	125	165	16	360	160	200	115	212	265	100	70	296	298	198	250	300	350	M16	42.5
65-125/4	2	80	134	160	200	18	8	65	115	145	185	16	340	160	180	140	212	280	100	95	254	242	142	180	215	250	M12	26
65-125/5.5	2	80	134	160	200	18	8	65	115	145	185	16	340	160	180	140	212	280	100	95	254	265	165	230	265	300	M12	27.5
65-125/7.5	2	80	134	160	200	18	8	65	115	145	185	16	340	160	180	140	212	280	100	95	254	265	165	230	265	300	M12	28.5
65-160/9.2	2	80	134	160	200	18	8	65	115	145	185	16	360	160	200	140	212	280	100	95	296	265	165	230	265	300	M12	30
65-160/11	2	80	134	160	200	18	8	65	115	145	185	16	360	160	200	140	212	280	100	95	296	298	198	250	300	350	M16	40
65-160/15	2	80	134	160	200	18	8	65	115	145	185	16	360	160	200	140	212	280	100	95	296	308	208	250	300	350	M16	42
65-200/15	2	80	134	160	200	18	8	65	115	145	185	16	405	180	225	140	250	320	100	95	296	308	208	250	300	350	M16	29.5
65-200/18.5	2	80	134	160	200	18	8	65	115	145	185	16	405	180	225	140	250	320	100	95	296	308	208	250	300	350	M16	29.5
65-200/22	2	80	134	160	200	18	8	65	115	145	185	16	405	180	225	140	250	320	100	95	296	308	208	250	300	350	M16	30

DIMENSIONS 3LSF 65-250,80 - PUMP END KIT 2 POLE 50 Hz

V09



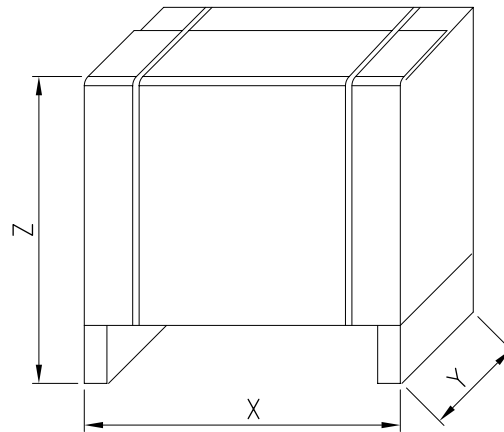
Pump type	Dimensions [mm]																						Weight [kgf]						
	DN1	P1	K1	D1	S1	DN2	P2	D2	S2	H	H1	H2	H3	R	W	N1	N2	M	M1	D3	B	C		D	E	F	G	A1	A2
65-250/30	80	135	160	200	22	65 Fig. 1	120	185	20	450	200	250	15	100	120	280	360	160	80	19	308	208	300	350	400	4 - M16	200	200	70
65-250/37	80	135	160	200	22	65 Fig. 1	120	185	20	450	200	250	15	100	120	280	360	160	80	19	308	208	300	350	400	4 - M16	200	200	71
80-160/11	100	155	180	225	24	80 Fig. 2	135	200	22	405	180	225	13	125	95	250	320	125	65	15	333	208	250	300	350	4 - M16	175	175	52
80-160/15R	100	155	180	225	24	80 Fig. 2	135	200	22	405	180	225	13	125	95	250	320	125	65	15	333	208	250	300	350	4 - M16	175	175	52
80-160/15	100	155	180	225	24	80 Fig. 2	135	200	22	405	180	225	13	125	95	250	320	125	65	15	333	208	250	300	350	4 - M16	175	175	52
80-160/18.5	100	155	180	225	24	80 Fig. 2	135	200	22	405	180	225	13	125	95	250	320	125	65	15	333	208	250	300	350	4 - M16	175	175	53
80-200/22	100	155	180	225	24	80 Fig. 2	135	200	22	430	180	250	13	125	95	280	345	125	65	15	333	208	250	300	350	4 - M16	175	182	68
80-200/30	100	155	180	225	24	80 Fig. 2	135	200	22	430	180	250	13	125	95	280	345	125	65	15	333	208	300	350	400	4 - M16	200	200	72
80-200/37	100	155	180	225	24	80 Fig. 2	135	200	22	430	180	250	13	125	95	280	345	125	65	15	333	208	300	350	400	4 - M16	200	200	73
80-250/45	100	155	180	225	24	80 Fig. 2	135	200	22	480	200	280	15	125	120	315	400	160	80	19	361	236	350	400	450	8 - M16	225	225	88
80-250/55	100	155	180	225	24	80 Fig. 2	135	200	22	480	200	280	15	125	120	315	400	160	80	19	373	248	450	500	550	8 - M16	275	275	100

**PACKING AND WEIGHT 3LS**

2 POLE 50 Hz

V09

Pump type	PACKING [mm]			* WEIGHT [kgf] (Approx)
	X	Y	Z	
32-125/1.1				30.5
32-160/1.5	580	350	510	39
32-160/2.2				50
32-200/3.0				60
32-200/4.0	730	420	510	68.5
32-200/5.5				90.5
32-200/7.5				97
40-125/1.5	580	350	510	37
40-125/2.2				48
40-160/3.0				56
40-160/4.0	730	420	510	64.5
40-200/5.5				91
40-200/7.5				97
40-200/11				154
50-125/3.0	730	420	570	55.5
50-125/4.0				64
50-160/5.5				92
50-160/7.5				98
50-200/9.2				106
50-200/11	1000	500	570	115
50-200/15				155
65-125/4.0				161
65-125/5.5	730	420	510	70.5
65-125/7.5				91
65-160/9.2				107
65-160/11				154
65-160/15				161
65-200/15	1000	500	470	152
65-200/18.5				169.5
65-200/22				214
65-250/30	1100	500	717	322
65-250/37				339
80-160/11	880	390	518	168
80-160/15				173
80-160/18.5				194
80-200/22	1100	500	717	255
80-200/30				325
80-200/37				344
80-250/45	1400	600	817	506
80-250/55				598



\* Weights & Dimensions are Approximate.  
Based on WEG cast iron motors.

**PACKING AND WEIGHT 3LSF**

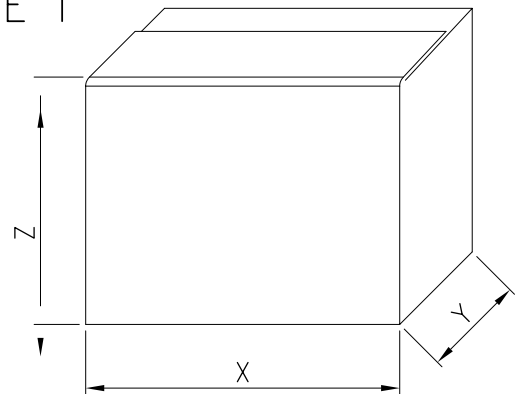
(Pump End Kit)

2 POLE 50 Hz

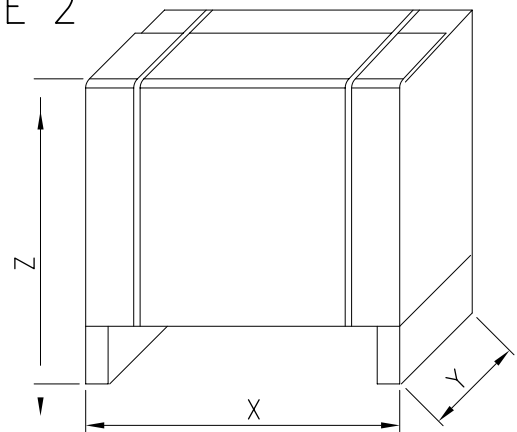
V09

Type pumps	PACKING [mm]			WEIGHT [Kg]	PACK TYPE			
	X	Y	Z					
32-125/1.1	374	424	405	16	1			
32-160/1.5				19				
32-160/2.2				27				
32-200/3.0				30				
32-200/4.0				17				
32-200/5.5				23				
32-200/7.5				30.5				
40-125/1.5				860		375	440	44.5
40-125/2.2								22.5
40-160/3.0								31.5
40-160/4.0								32
40-200/5.5								45
40-200/7.5								46
50-125/2.2								374
50-125/3.0	30.5							
50-125/4.0	31.5							
50-160/5.5	33							
50-160/7.5	44							
50-200/9.2	46							
50-200/11	860	375	440	37				
50-200/15				33.5				
65-125/4.0				34				
65-125/5.5				75				
65-125/7.5	780	475	608	76				
65-160/9.2				58				
65-160/11				58				
65-160/15				58				
65-200/15	860	375	440	75				
65-200/18.5				33.5				
65-200/22				34				
65-250/30				75				
65-250/37	580	390	533	76				
80-160/11				58				
80-160/15				58				
80-160/18.5				58				
80-200/22	780	475	610	75				
80-200/30				80				
80-200/37				81				
80-250/45				95				
80-250/55	894	762	690	108	2			

TYPE 1



TYPE 2



**MOTOR DATA** (For WEG Motors)

**2 POLE 50 Hz**

V09

II Pole - 3000 rpm

Output kW	IEC Frame	Locked rotor current IL/Ir (%)	Full load torque Tr Nm	Locked rotor torque TI/Tr (%)	Break- down torque Tb/Tr (%)	Moment of Inertia J kgm <sup>2</sup>	Max. Locked rotor time(s)		Approx Weight (kg)	Noise level dB (A) sound pressure level	Rated speed (rpm)	400 V						Full load current Ir (A)
							Cold	Hot				% of full load			Power Factor Cos φ			
												Efficiency η			Power Factor Cos φ			
			50	75	100	50	75	100										
1.1	80	780	3.74	340	340	0.00096	33	15	14.5	59	2820	81.2	83.2	83.8	0.64	0.76	0.84	2.26
1.5	90S	730	4.92	280	280	0.00206	22	10	20	62	2855	83.2	84.9	84.6	0.65	0.77	0.83	3.01
2.2	100L	850	7.27	290	330	0.00616	29	13	31	67	2900	83.2	85.6	86	0.77	0.85	0.88	4.20
3	100L	890	9.70	300	310	0.00672	22	10	33	67	2895	84.5	87	88.3	0.73	0.83	0.87	5.64
4	112M	820	13.32	270	340	0.00842	37	17	41.5	64	2900	87.5	88.9	89.1	0.72	0.83	0.87	7.45
5.5	132S/M	800	17.95	270	320	0.02056	42	19	60.5	67	2935	88.9	90.4	90.5	0.71	0.81	0.86	10.20
7.5	132S	800	24.01	250	290	0.0243	29	13	66.5	67	2925	88.6	90.7	90.9	0.72	0.82	0.87	13.69
9.2	132M	850	29.91	280	310	0.02804	24	11	74	67	2935	88.5	90.9	91	0.7	0.81	0.87	16.80
11	160M	850	35.72	280	330	0.05295	31	14	110	70	2950	90.3	92.2	92.6	0.7	0.8	0.85	20.17
15	160M	820	47.70	240	330	0.05883	24	11	115	70	2945	91.3	92.3	92.8	0.74	0.82	0.86	27.13
18.5	160L	880	59.63	250	320	0.06766	10	22	136	70	2945	91.9	92.8	93.1	0.73	0.82	0.85	33.7
18.5	180M	780	59.63	230	290	0.11351	44	20	172	70	2945	91.5	92	92.5	0.8	0.87	0.89	32.40
22	180M	860	71.43	270	330	0.11919	31	14	180	70	2950	92.8	93.8	94	0.76	0.84	0.87	38.83
30	200L	740	94.92	270	280	0.2063	68	31	245	74	2960	93.2	94.1	94.4	0.76	0.83	0.86	53.30
37	200L	760	118.65	270	270	0.22424	55	25	260	74	2960	93.2	94	94.6	0.76	0.84	0.87	64.90
45	225S/M	850	141.90	240	290	0.44846	40	18	411	82	2970	93.6	94.5	94.7	0.82	0.88	0.9	76.20
55	250S/M	890	177.67	260	340	0.50227	33	15	490	82	2965	94	95	95	0.85	0.89	0.91	91.80

Above is technical motor data based on Cast iron WEG Electric motors