

小型双轴撕碎机

Double Shaft Shredder - DS Series



超大扭矩，万物皆可撕碎

Exceptionally high torque to shred it all

DS 双轴撕碎机可处理多样的废固物料。与单轴撕碎机相比，此系列转速更低，扭矩更大，效率更高。被广泛应用于工业垃圾，城市固态垃圾以及其它综合性废弃物的回收处理。其结构较为简洁紧凑，可对开式的机箱和轴承座便于维护和保养。

由于该设备不含筛网，常被用作一级破碎，破碎颗粒的大小取决于刀片的厚度。

The DS series of the double shaft shredder can process a wide range of solid wastes. Compared to single shaft shredder, this series has a **lower speed, higher torque**, and higher efficiency. It's mainly used to process industrial waste. Maintenance is easy and convenient since the maintenance door provides full access to the crushing chamber and bearing housing. With the shredder being screenless, it is often used for **primary shredding** and its output size depends on the blade thickness.

应用范围 | Applications

- 衍生垃圾：城市固态废物，工业垃圾，木材废料，工业废纸，轮胎，塑料，地毯等；
- 金属材料：铝材，有色金属，无色金属，金属桶，废旧汽车等；
- 电子电器：电子废料，电子设备，废旧家电等；
- 塑料：化工桶，大块塑料，薄膜等。
- Derived waste: MSW, industry waste, wood, paper, tires, plastics, etc.
- Metal materials: Aluminum, ferrous, non-ferrous, steel drum, waste automotive, etc.
- Electronics: WEEE, electronic equipment, waste household appliance, etc.
- Aluminum: Can, aluminum product, building material, sheet, etc.
- Plastic: Plastic drum, plastic lump, films, etc.

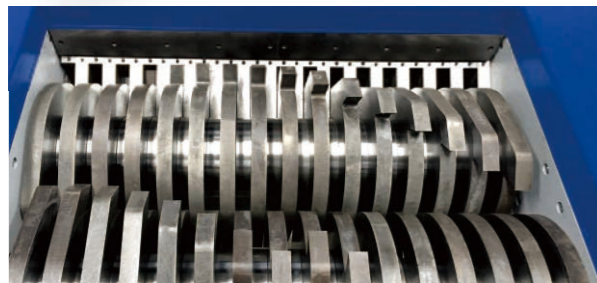


性能特点 | Features

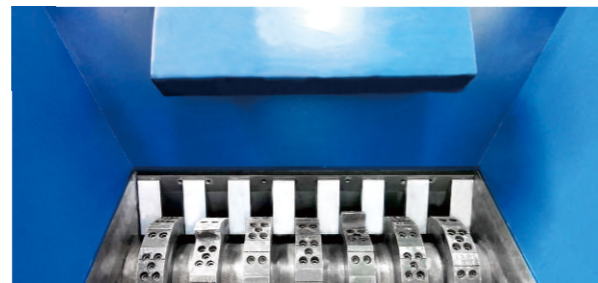
- 刀体采用高合金42CrMo, 有利于大功率撕碎。
- 配合花键和六方轴, 实现扭力分布均匀, 延长主轴寿命。
- 主要的电气元件采用西门子和施耐德等国际品牌。
- 自动过载保护, 具有反转功能, 避免机器过载和卡死。
- Knives adopt alloy steel 42CrMo realizing heavy-duty size reduction.
- Driving torque is evenly distributed to the shaft, thanks to splined teeth and hex shaft.
- Main electrical components are sourced from trusted brands such as Siemens and Schneider.
- Auto-reverse system re-oriens rotor direction when motor overload & material jam.



双轴 shredder 搭配单轴 shredder 和输送带, 可组成简易破碎线。
Integrating a double shaft shredder with single shaft shredder and conveyor to set up a shredding system.



双轴机刀体 (标配), 刀片厚度可选。
Standard rotor with customizable knife thickness.



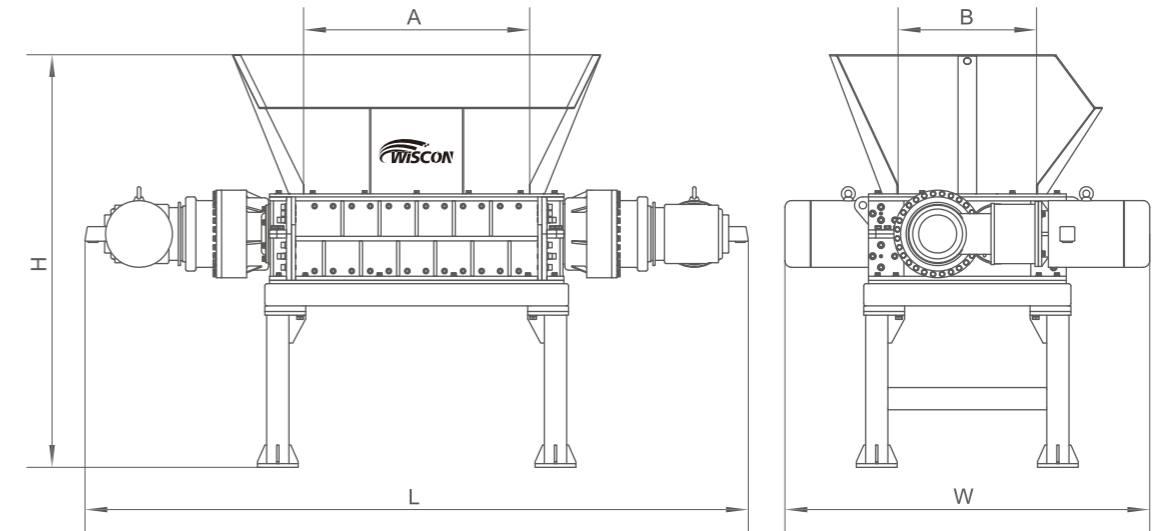
可拆卸刀片, 最大化减少换刀时间。
Detachable knives reduce knife replacement time significantly.



两台独立电机驱动加上高安全系数减速机产出超高扭矩。
Two independent drives with gear reducers bring a high torque.



推料装置 (可选) 辅助推送物料, 提高产量。
Optional to pair a vertical pusher for hollow and oversized materials.



技术参数 | Specifications

项目 Item/型号 Model	DS260	DS280	DS380	DS3120
破碎室尺寸 A×B Crushing chamber (mm)	600×460	800×460	800×720	1200×720
刀辊直径 Rotor diameter (mm)	300	300	450	450
刀片厚度 Blade thickness (mm)	20	20	20/40	20/40
动刀数量 Rotor knife qty (pcs)	30	40	40/20	60/30
电机功率 Motor power (kW)	5.5+5.5	7.5+7.5	15+15	22+22
外型尺寸 L×W×H Dimension (mm)	2500×1180 ×1830	2740×1180 ×1830	3060×1850 ×2230	3580×1970 ×2230
整机重量 Weight (kg)	2000	2250	4300	5800

备注: 1. 刀片厚度和刀体爪数可根据需要进行选配; Blade thickness and number of teeth can be selected as required.

2. DS380和DS3120转速、功率可根据需要进行选配。Rotor speed and motor of DS380 and DS3120 can be customized.

产品规格若有变更, 恕不另行通知。We reserve the right to change specifications without prior notice.