



**MATERIALS
TRANSPORTATION
COMPANY™**

An Employee Owned Company

ATTACH-A-PULLER SPECIFICATION SHEET

Portable Battery Changer

Model ABP

12/24 Volt



MODEL SHOWN: ABP-32-V

SPECIFICATIONS¹

GENERAL INFORMATION

1	MODEL NO.	ABP-24-V	ABP-32-V	ABP-40-V	ABP-24-V-44	ABP-32-V-44	ABP-40-V-44
2	Maximum Load Capacity with 48" Forks	3000 lbs.	3000 lbs.	3000 lbs.	2000 lbs.	2000 lbs.	2000 lbs.
3	Maximum Load Capacity with 60" Forks	5000 lbs.	5000 lbs.	5000 lbs.	5000 lbs.	5000 lbs.	5000 lbs.
4	Hydraulic Pump Type	Gear	Gear	Gear	Gear	Gear	Gear
5	Battery Attachment Mechanism	Vacuum	Vacuum	Vacuum	Vacuum	Vacuum	Vacuum
6	System Voltage	12 / 24 VDC	12 / 24 VDC	12 / 24 VDC	12 / 24 VDC	12 / 24 VDC	12 / 24 VDC
7	Battery Connector Type	SB175 GRAY	SB175 GRAY	SB175 GRAY	SB175 GRAY	SB175 GRAY	SB175 GRAY
8	Model Color	Yellow	Yellow	Yellow	Yellow	Yellow	Yellow
9	Roller Diameter	2.5"	2.5"	2.5"	2.5"	2.5"	2.5"
10	Roller Shaft Size	11/16"	11/16"	11/16"	11/16"	11/16"	11/16"
11	Push Pull Drive Chain Size	#40	#40	#40	#50	#50	#50

REACH INFORMATION

A	Vacuum Cup Reach (draw bar fully extended) ²	9 3/4"	9 3/4"	9 3/4"	12 1/4"	12 1/4"	12 1/4"
B	Vacuum Cup Reach (draw bar fully retracted) ²	9 3/4"	9 3/4"	9 3/4"	6 3/4"	6 3/4"	6 3/4"

BASIC DIMENSIONS

C	Vacuum Cup Size	7" x 12"	7" x 12"	7" x 12"	10" round	10" round	10" round
D	Overall Length	61 1/2"	61 1/2"	61 1/2"	70 1/2"	70 1/2"	70 1/2"
E	Overall Width	32 1/4"	40 1/4"	48 1/4"	35"	43"	51"
F	Overall Height	28"	28"	28"	40 1/2"	40 1/2"	40 1/2"
G	Maximum Compartment Depth (draw bar fully retracted)	39 3/4"	39 3/4"	39 3/4"	47 1/2"	47 1/2"	47 1/2"
H	Minimum Compartment Depth (draw bar fully extended)	39 3/4"	39 3/4"	39 3/4"	42"	42"	42"
I	Battery Compartment Width	25"	33"	41"	25"	33"	41"
J	Maximum Battery Length	39"	39"	39"	46 3/4"	46 3/4"	46 3/4"
K	Maximum Battery Width	24"	32"	40"	24"	32"	40"
L	Maximum Battery Height	35"	35"	35"	35"	35"	35"
M	Minimum Battery Length	13.5"	13.5"	13.5"	13.5"	13.5"	13.5"
N	Minimum Battery Width	8.5"	8.5"	8.5"	10"	10"	10"
O	Minimum Battery Height	19"	19"	19"	19"	19"	19"
P	Minimum Required Pallet Truck Fork Length ³	48"	48"	48"	60"	60"	60"
Q	Mounting Holes (Center Line to Center Line)	33 5/16"	33 5/16"	33 5/16"	36 1/4"	36 1/4"	36 1/4"
R	Base-to-Roller Height ⁴	2 7/8"	2 7/8"	2 7/8"	2 7/8"	2 7/8"	2 7/8"

WEIGHTS

S	Service Weight Excluding Pallet Truck and Battery	670 lbs.	720 lbs.	770 lbs.	815 lbs.	865 lbs.	915 lbs.
---	---	----------	----------	----------	----------	----------	----------

PERFORMANCE⁵

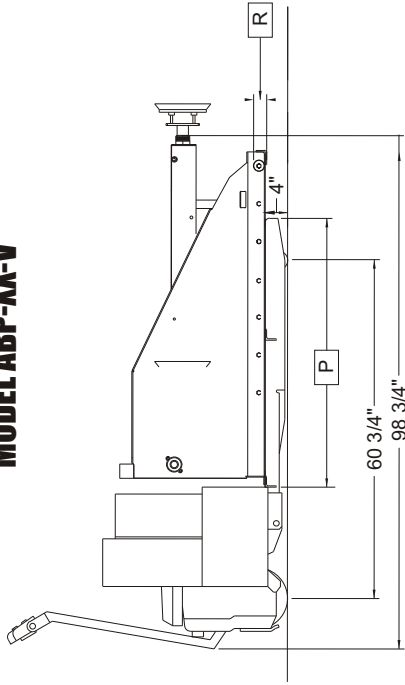
T	Rated Draw Bar Pull	700 lbs.	700 lbs.	700 lbs.	900 lbs.	900 lbs.	900 lbs.
U	Arm Travel Feet Per Minute	22 FPM	22 FPM	22 FPM	22 FPM	22 FPM	22 FPM

NOTES

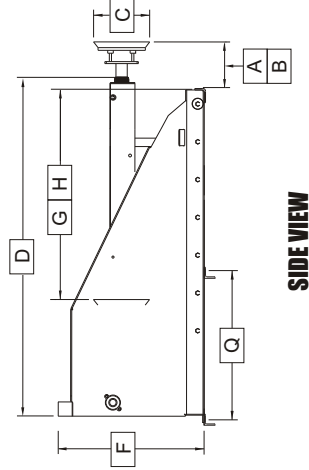
- Specifications subject to change without notice.
- Draw bar extension and retraction will affect battery compartment depth (see specification items G and H).
- Refers to Minimum Pallet Truck Fork Length required to obtain maximum load capacity rating (Item #3).
- To determine minimum roller height, add ABP's "Base-to-Roller Height" (specification item R) to the collapsed height of pallet truck forks.
- Performance may vary +/- 5% due to system efficiency tolerance. The performance shown represents nominal values obtained under typical operating conditions.

ATTACH-A-PULLER DESIGN SPECIFICATIONS

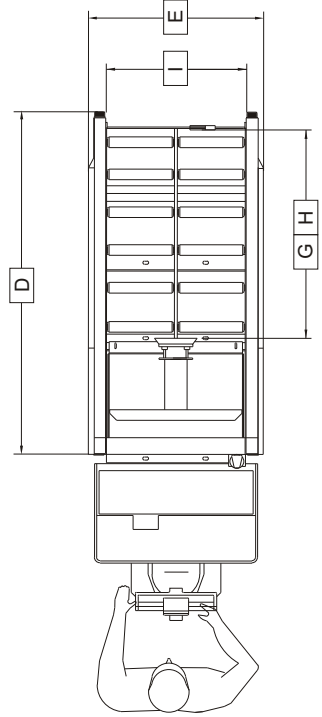
MODEL ABP-XX-V*



ABP MOUNTED ON PALLET TRUCK**

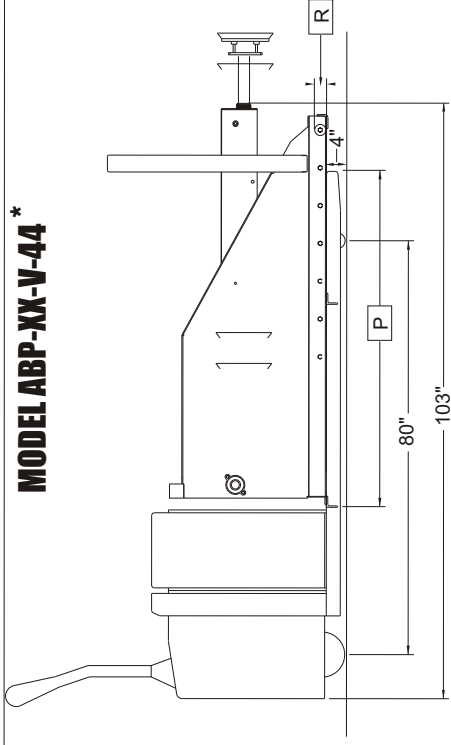


SIDE VIEW

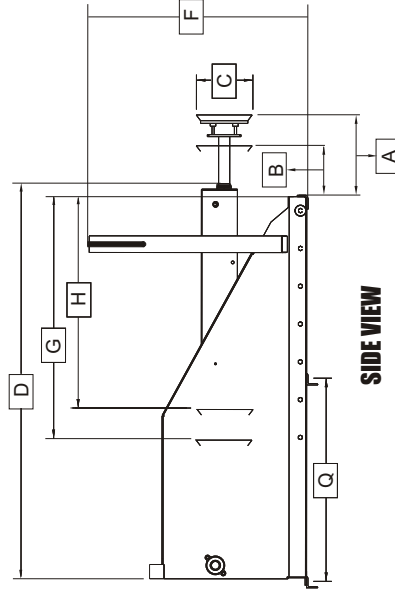


TOP VIEW OF ABP MOUNTED ON PALLET TRUCK

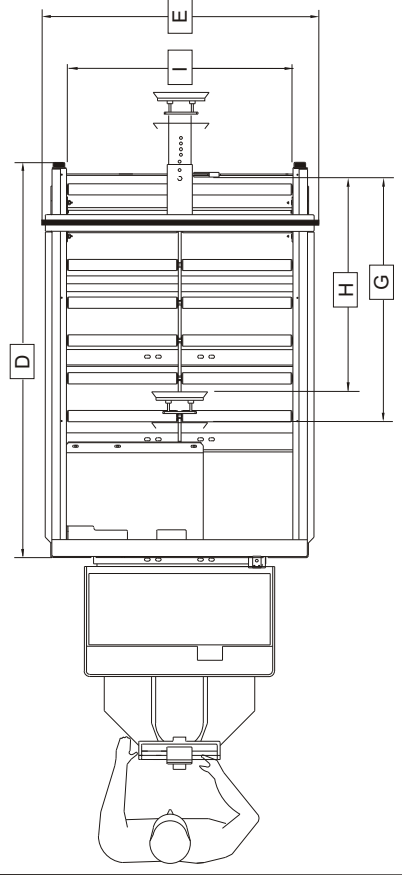
MODEL ABP-XX-V-44*



ABP MOUNTED ON PALLET TRUCK**



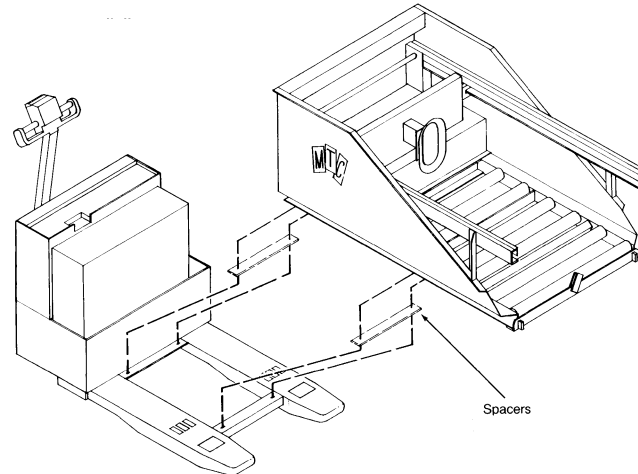
SIDE VIEW



TOP VIEW OF ABP MOUNTED ON PALLET TRUCK

* See Corresponding Letters in the Specification Table Above for Dimensional Data

** Dimensions Based on Typical Pallet Truck Configuration



ATTACH-A-PULLER FEATURES AND BENEFITS

FEATURES

1. Mounts on Your Existing Pallet Truck
2. Powered Vacuum Arm Extraction
3. 12 VDC or 24 VDC Models Available
4. 24", 32", and 40" Wide Battery Compartments
5. Attach-A-Puller Controls Mount for Operation from Either Side
6. Powered by Pallet Truck Battery
7. Mechanical Battery Safety Stop
8. "Raise/Lower" Function of Pallet Truck Adjusts the Roller Height of Attach-A-Puller Unit

BENEFITS

- Keeps the cost of battery changing system to a minimum by adapting to existing equipment
- Reliable, powerful, and consistent battery attachment
- Ensures that attach-a-puller will work with existing pallet truck
- Capable of handling essentially all lift truck battery sizes
- Allows easy adaptability to various applications
- Eliminates the need for an additional power source
- Protects operator and surrounding personnel from possible injury during battery transport
- Keeps cost of attach-a-puller low by relying on pallet truck lift

Corporate Offices & Manufacturing

PO. Box 1358
Temple, Texas 76503 USA
Phone (254) 298-2900 • Fax (254) 771-0287
U.S. (800) 433-3110 • Canada (800) 229-5988
www.mtcworldwide.com